

ASGARD ACCESS HEAVY DUTY LADDER RACK

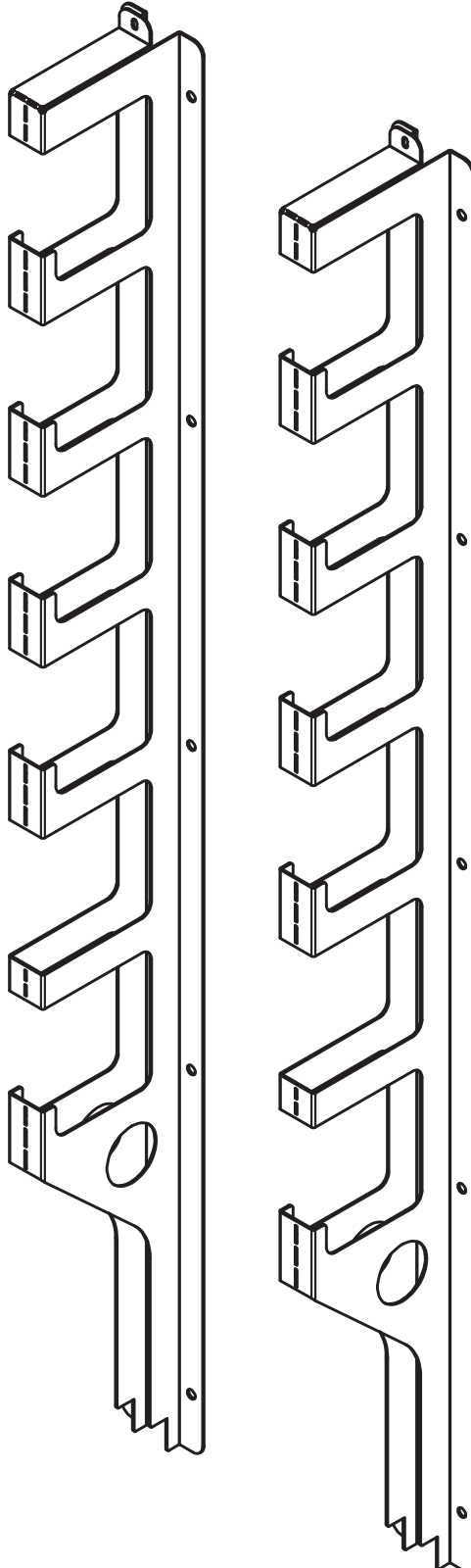


COMPATIBILITY

Asgard Access, Access Plus, Access E Plus sheds.

TOOLS REQUIRED

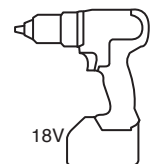
Screwdriver



Ladder Rack
063571 x2

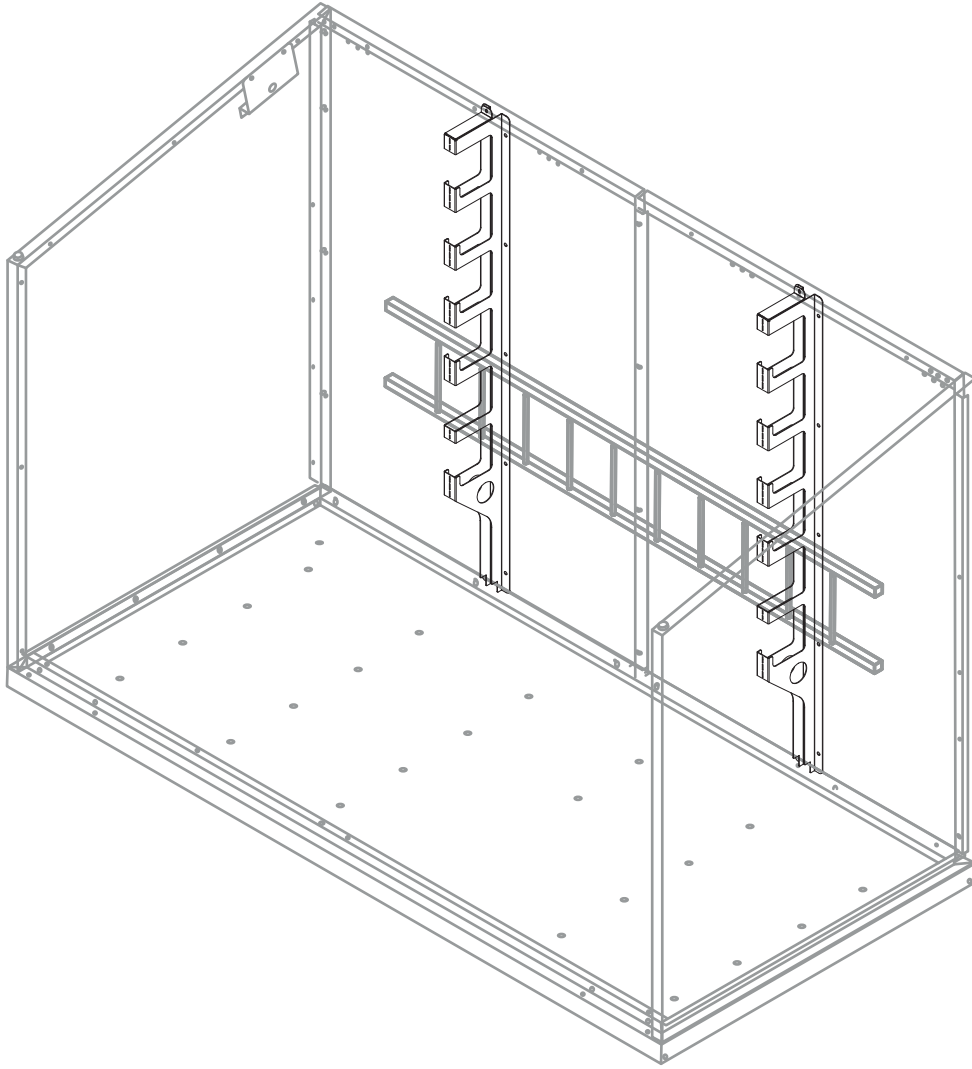


ZSCREW100 x2

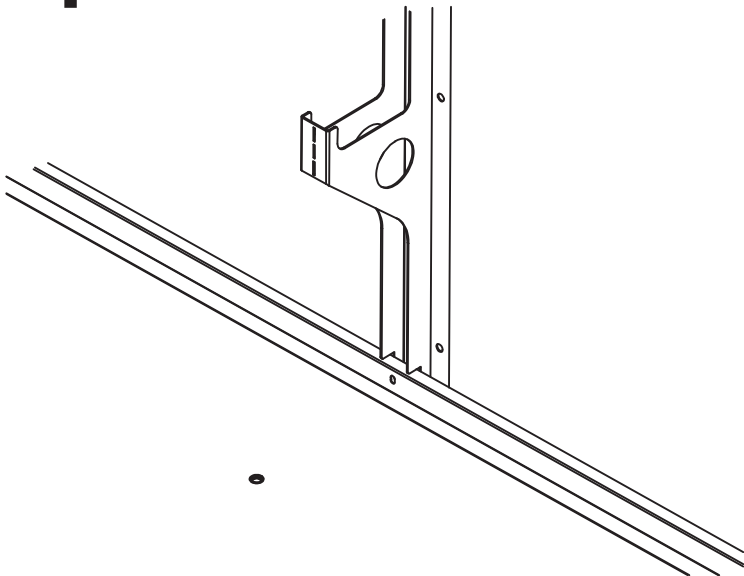


18V





1 SLOT THE BRACKET PRONGS
DOWN THE BACK OF THE SHED



2 ALIGN THE BRACKET WITH THE
PRE-DRILLED HOLES & SECURE.
REPEAT WITH THE 2ND BRACKET

