

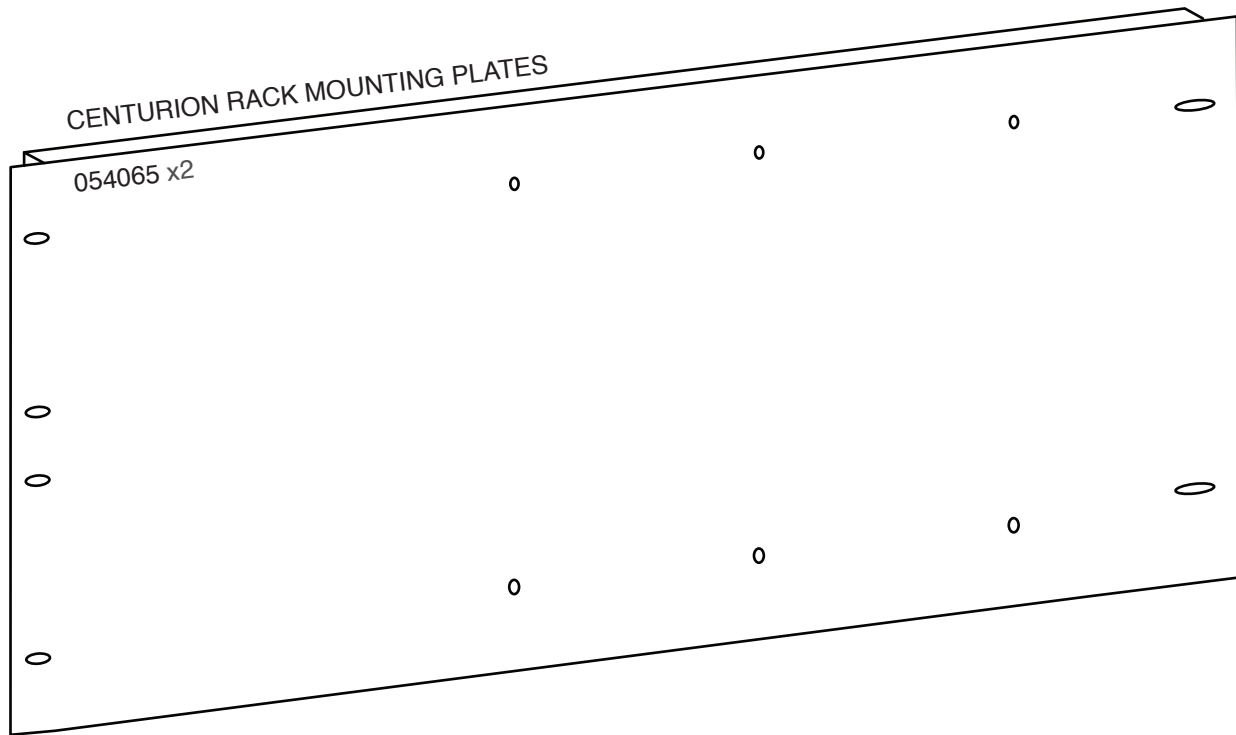
CENTURION BIKE RACK

COMPATIBILITY

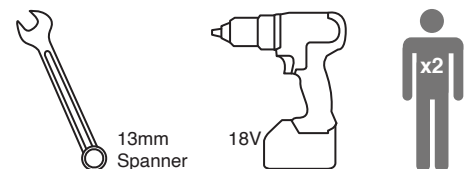
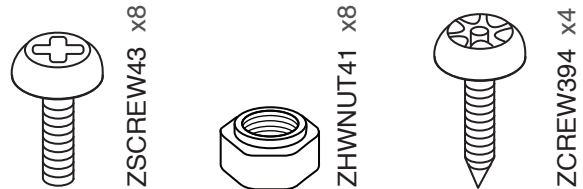
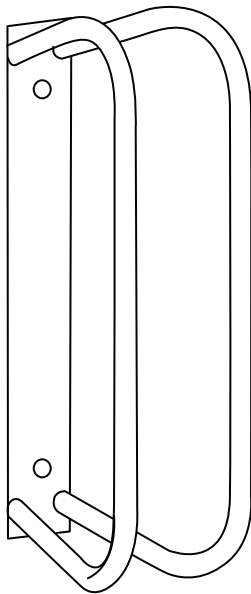
Suitable for a Centurion, Centurion Plus 1, Centurion Plus 2, Centurion Motorbike Unit and Centurion Motorbike Unit Plus 1

TOOLS REQUIRED

Power driver POSI-DRIV screwdriver. If using security screws provided a pin torx anti tamper screwdriver bit size TX25 is required.



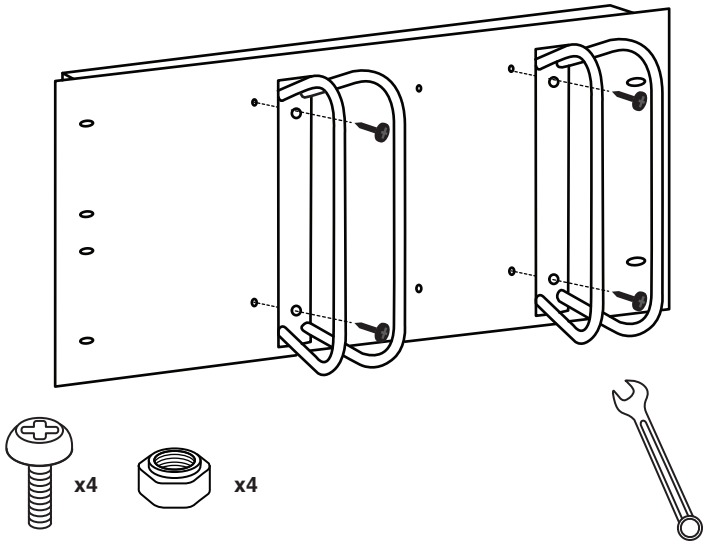
BIKE RACK PART
ZHWMISC100 x4



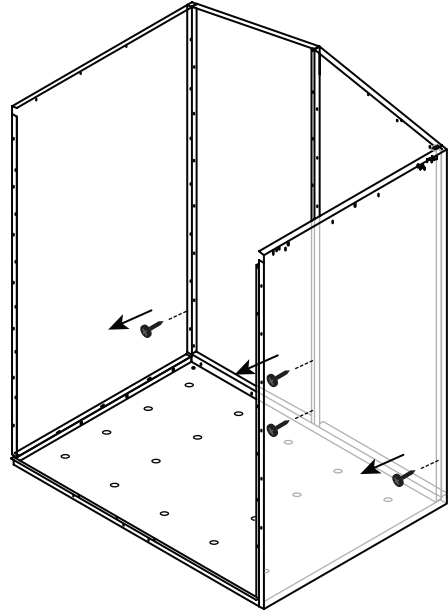
For maintenance instructions of this product visit www.asgardsss.co.uk

ASGCENBIKERACK###

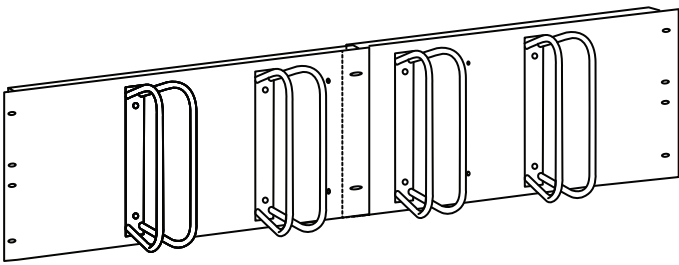
1



2



3



4

