

ASGARD FREESTANDING ADJUSTABLE BIKE RACK

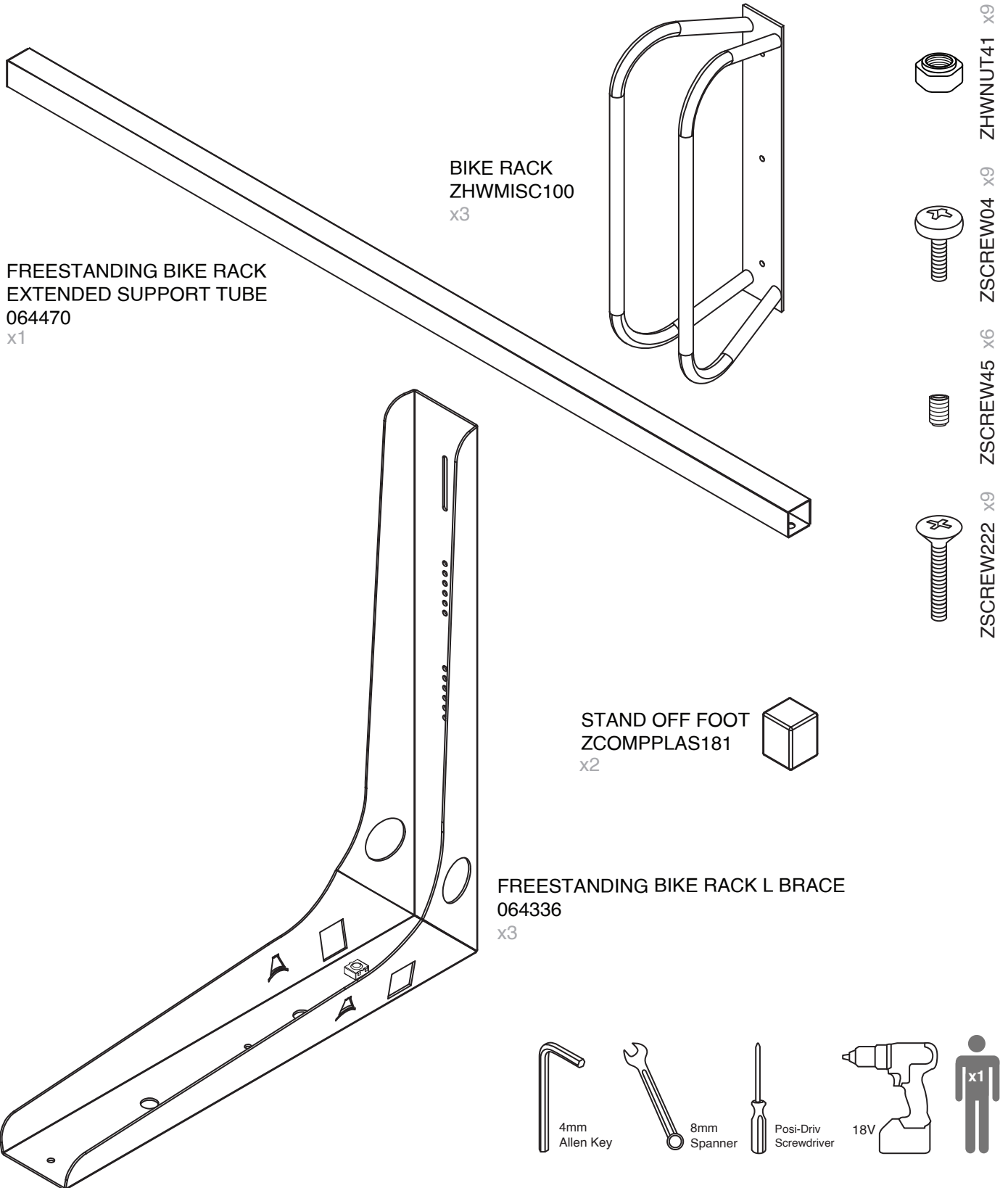


COMPATIBILITY

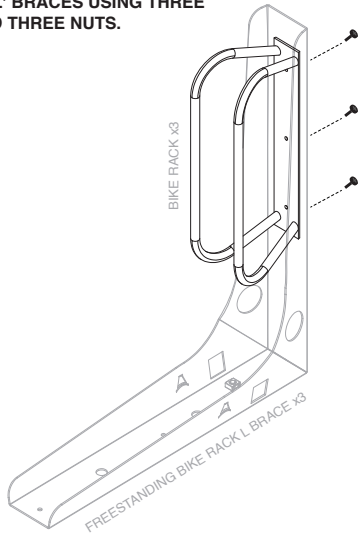
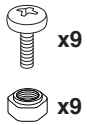
This bike stand is designed to accommodate standard bicycle wheels ranging in size from 26 inches to 29 inches.

TOOLS REQUIRED

Screwdriver, Posi-Drive Screwdriver, 8mm Spanner, 4mm Allen Key

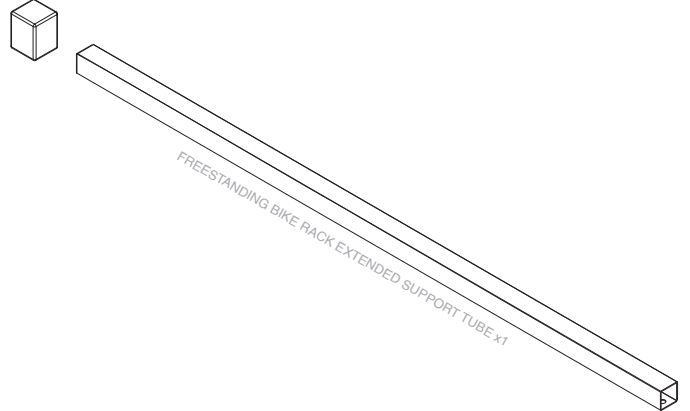


1! SECURE THE THREE BIKE RACKS TO THE THREE 'L' BRACES USING THREE SCREWS AND THREE NUTS.

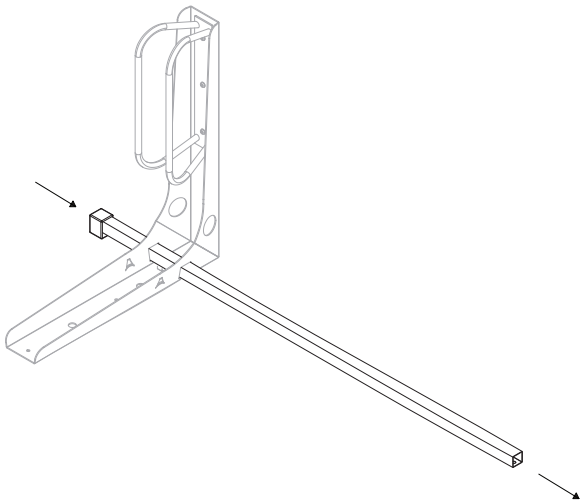


2! PUSH ONE FOOT ONTO THE EXTENDED SUPPORT TUBE (064470) BY HAND.

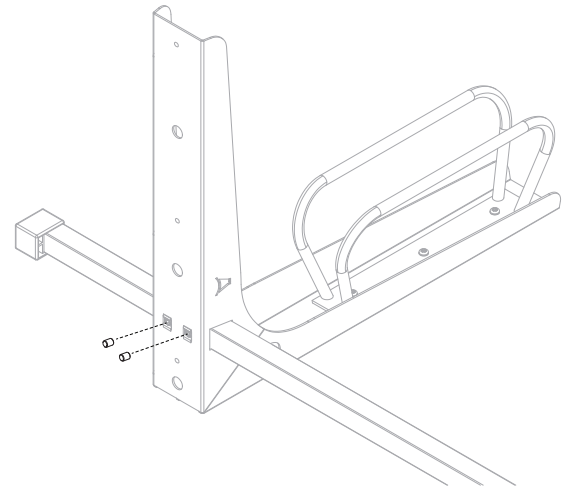
STAND OFF FOOT x1



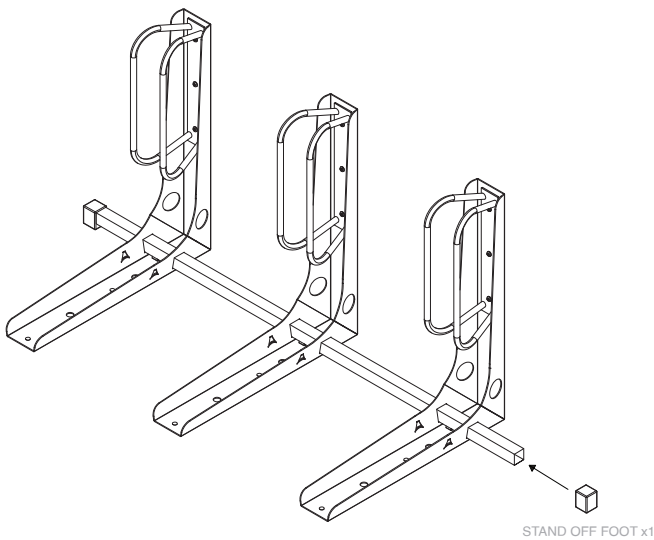
3! SLIDE ONE SUPPORT TUBE THROUGH THE 'L' BRACE.



4! TURN THE ASSEMBLED STAND UPSIDE DOWN AND ALIGN THE HOLES ON THE SUPPORT TUBE AND 'L' BRACE. SECURE WITH TWO ZSCREWS45.



5! REPEAT STEPS THREE AND FOUR FOR THE REMAINING 'L' BRACES. PUSH THE SECOND FOOT ONTO THE SUPPORT TUBE.



6! OPTIONAL: FASTEN TO FLOOR USING NINE ZSCREWS222.

