

# ASGARD FREESTANDING ADJUSTABLE BIKE RACK



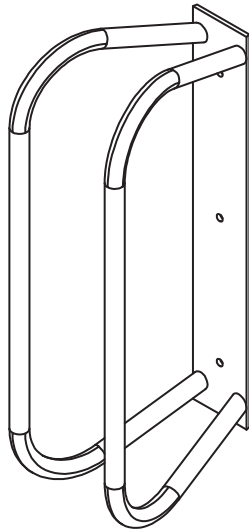
## COMPATIBILITY

This bike stand is designed to accommodate standard bicycle wheels ranging in size from 26 inches to 29 inches.

## TOOLS REQUIRED

Screwdriver, Posi-Drive Screwdriver, 8mm Spanner, 4mm Allen Key

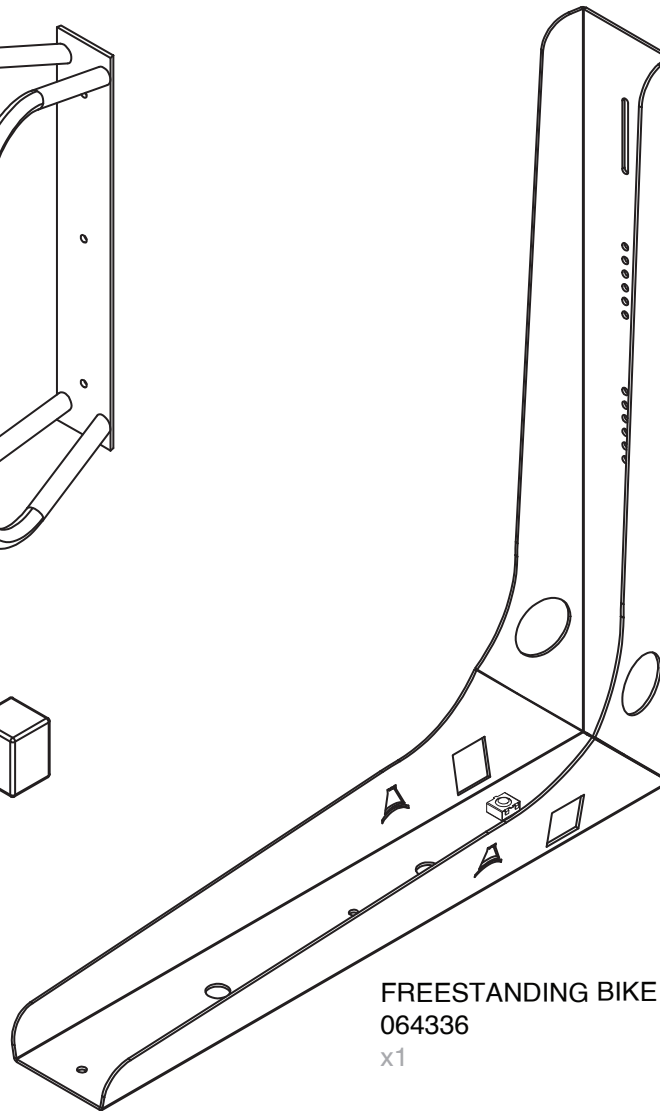
BIKE RACK  
ZHWMISC100  
x1



STAND OFF FOOT  
ZCOMPPLAS181  
x2

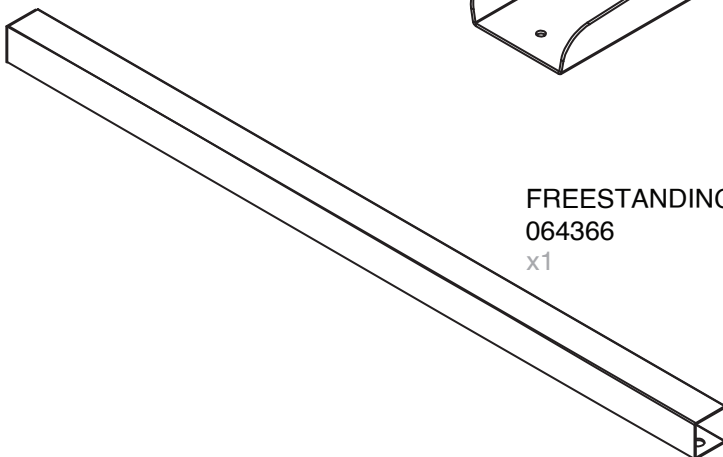


FREESTANDING BIKE RACK L BRACE  
064336  
x1



-  ZHWNUT41 X3
-  ZSCREW04 X3
-  ZSCREW45 X2
-  ZSCREW222 X3

FREESTANDING BIKE RACK SUPPORT TUBE  
064366  
x1



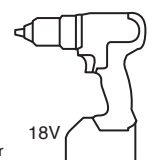
4mm  
Allen Key



8mm  
Spanner



Posi-Drive  
Screwdriver

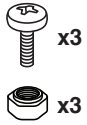
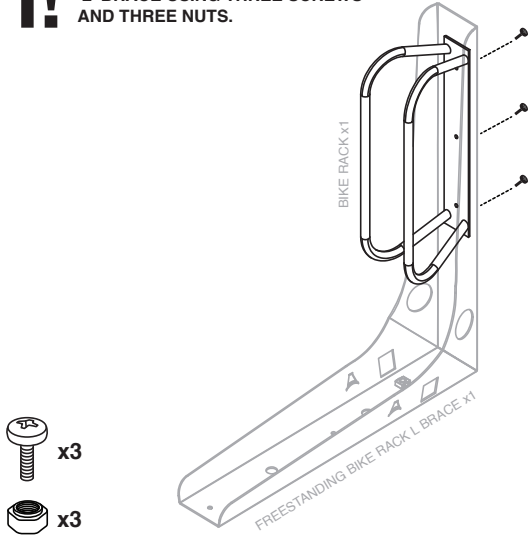


18V

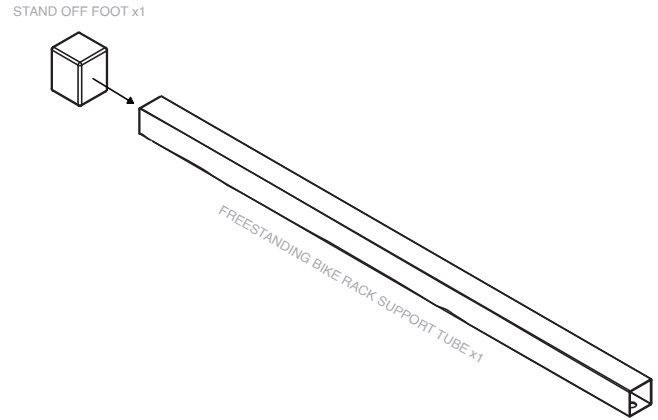


x1

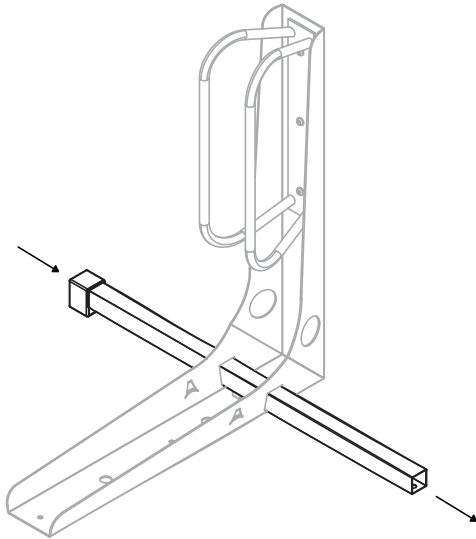
**1!** SECURE THE BIKE RACK TO THE 'L' BRACE USING THREE SCREWS AND THREE NUTS.



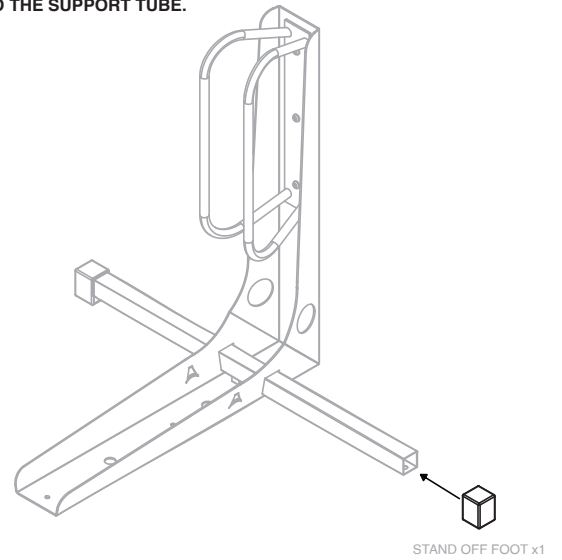
**2!** PUSH ONE FOOT ONTO THE SUPPORT TUBE (064366) BY HAND.



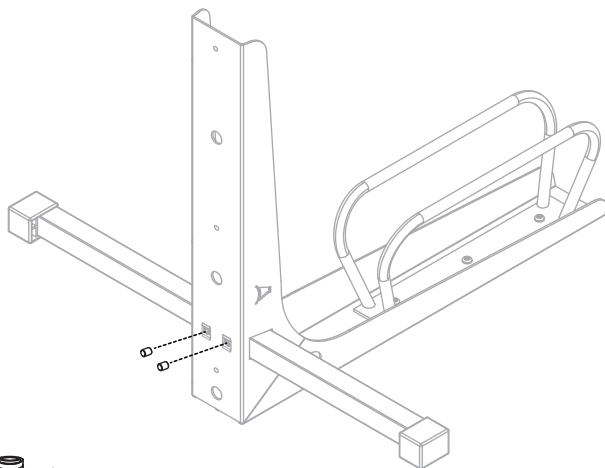
**3!** SLIDE THE SUPPORT TUBE THROUGH THE 'L' BRACE.



**4!** PUSH THE SECOND FOOT ONTO THE SUPPORT TUBE.



**5!** TURN THE ASSEMBLED STAND UPSIDE DOWN AND ALIGN THE HOLES ON THE SUPPORT TUBE AND 'L' BRACE. SECURE WITH TWO ZSCREWS45.



**6!** OPTIONAL: FASTEN TO FLOOR USING THREE ZSCREWS222.

