

## TWIN BIKE SHELTER

### BASE INSTRUCTIONS

Flat and firm base. Recommended: concrete, tarmac or paving flags.  
 Min. distance from walls/ shrubbery: 1000mm.  
 Min. base size (WxDxH) 1000mm x 2000mm x 50mm.

### LEVELING THE UNIT

Correctly level the constructed unit using the shims (ZCOMPPLAS) provided prior to fixing the unit to the ground. Slide the packing pieces under the corners of the unit base as required until an equal gap has been achieved around the door allowing for its smooth operation and alignment.

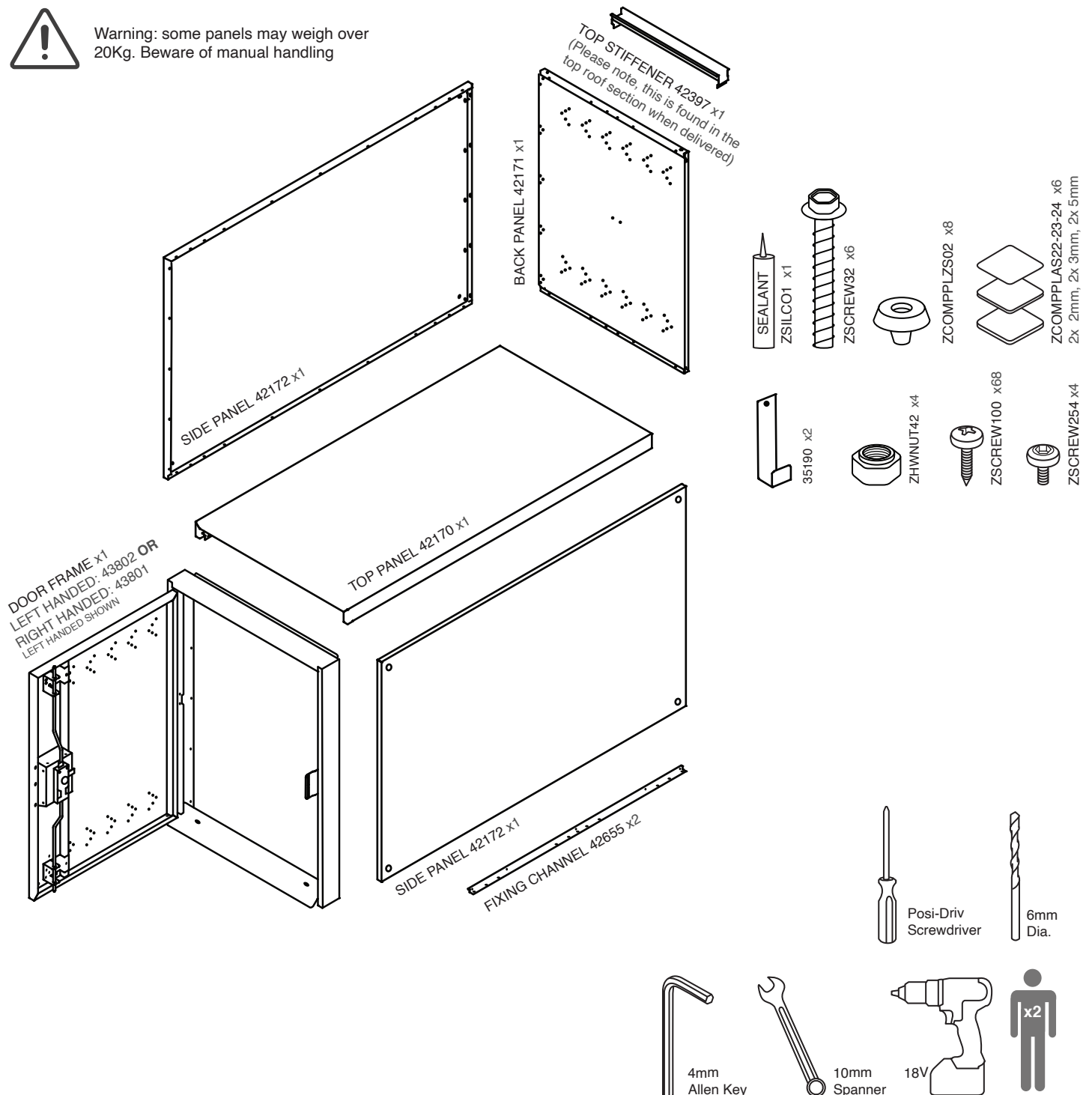
It is always recommended to anchor the unit to the ground. Drill through the four holes in the base rails of the unit using 6mm dia masonry drill to a depth of 70mm. Screw in the anchor fixings. (These have a self cutting thread). Additional ZHWNUT42 and ZSCREW254 have been supplied for bolting 2 units together using the side panels.

### TOOLS REQUIRED

Power driver POSI-DRIV screwdriver, 6mm dia. masonry drill and a 10mm socket or spanner.

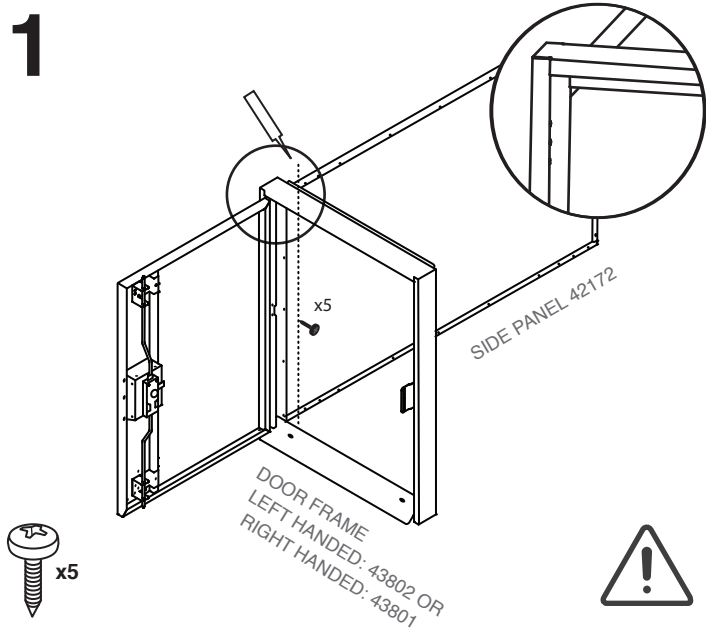


Warning: some panels may weigh over 20Kg. Beware of manual handling

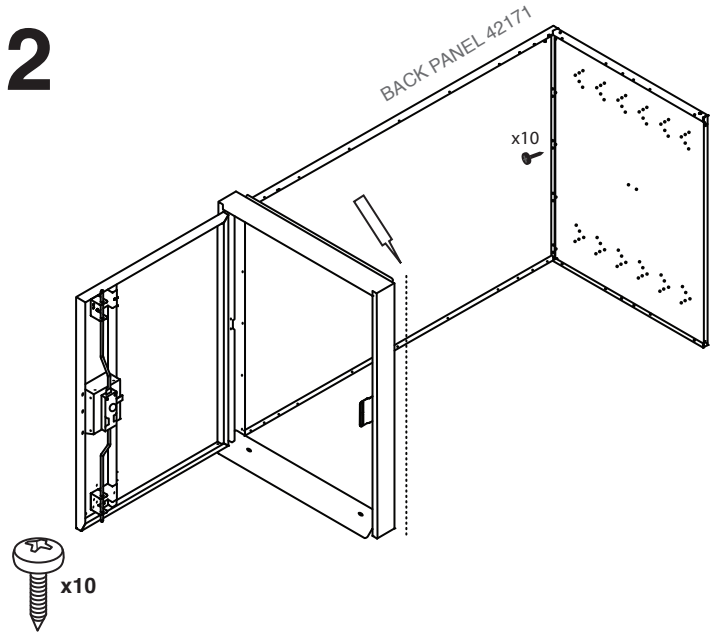


PLEASE NOTE ALL SCREWS ARE FIXED FROM THE INSIDE

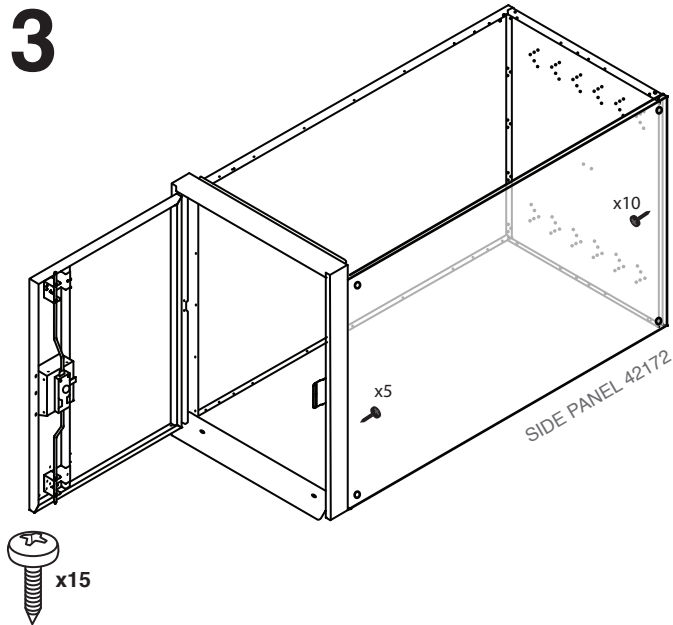
1



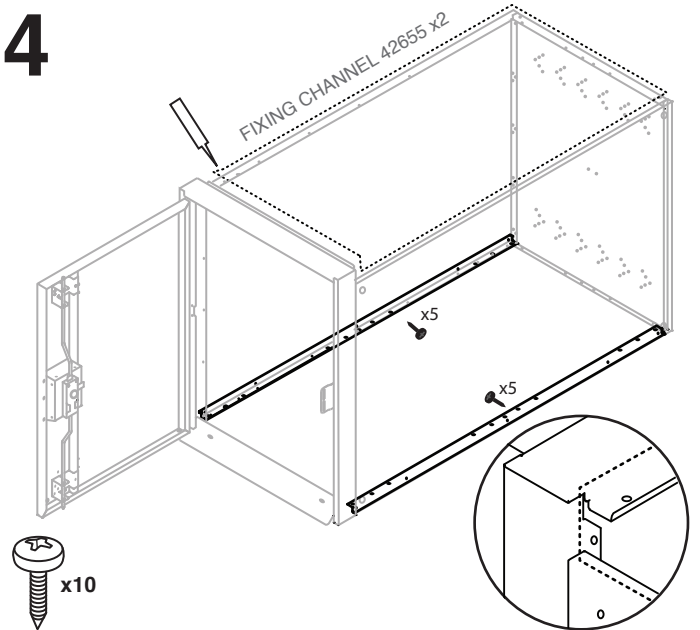
2



3

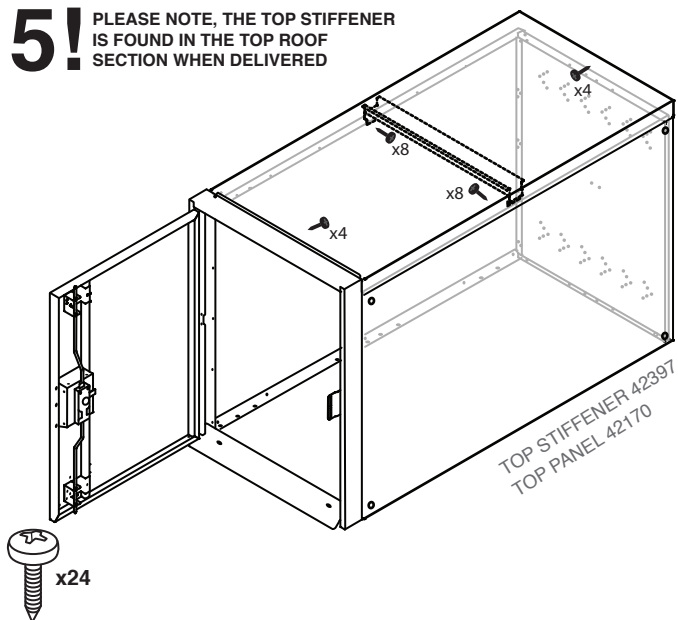


4

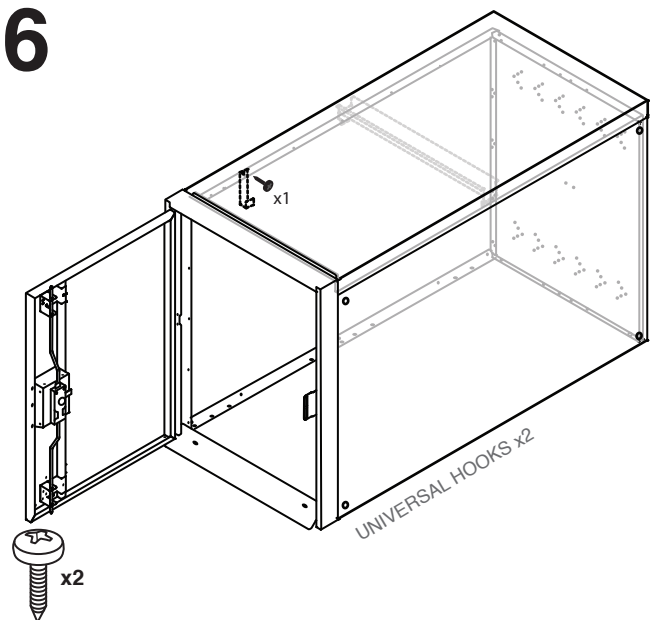


5!

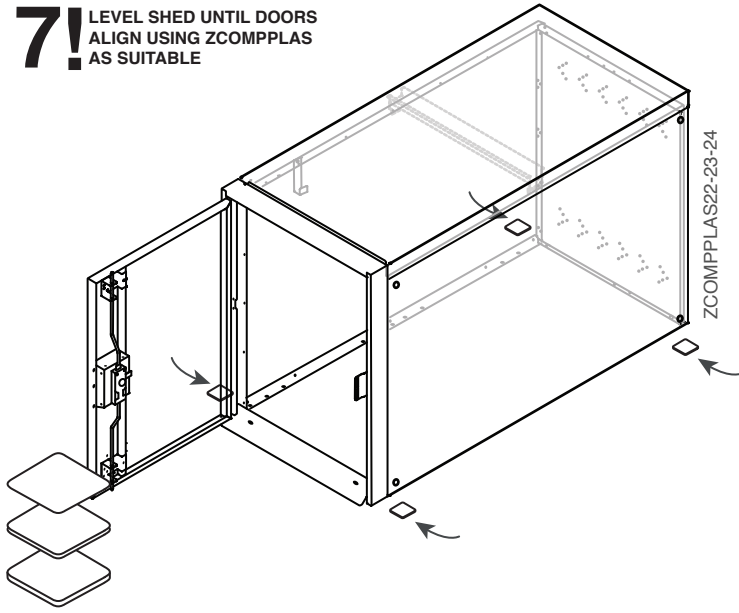
PLEASE NOTE, THE TOP STIFFENER IS FOUND IN THE TOP ROOF SECTION WHEN DELIVERED



6



**7!** LEVEL SHED UNTIL DOORS  
ALIGN USING ZCOMPPLAS  
AS SUITABLE



**8**

