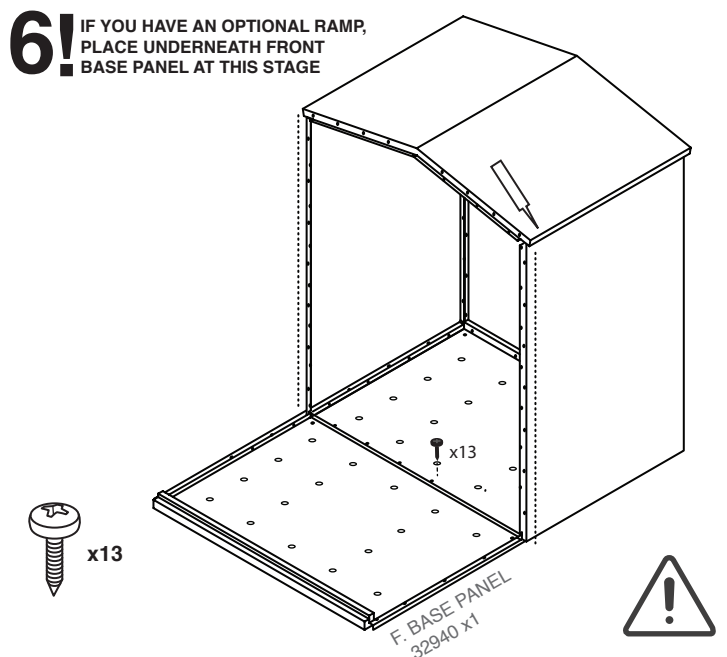
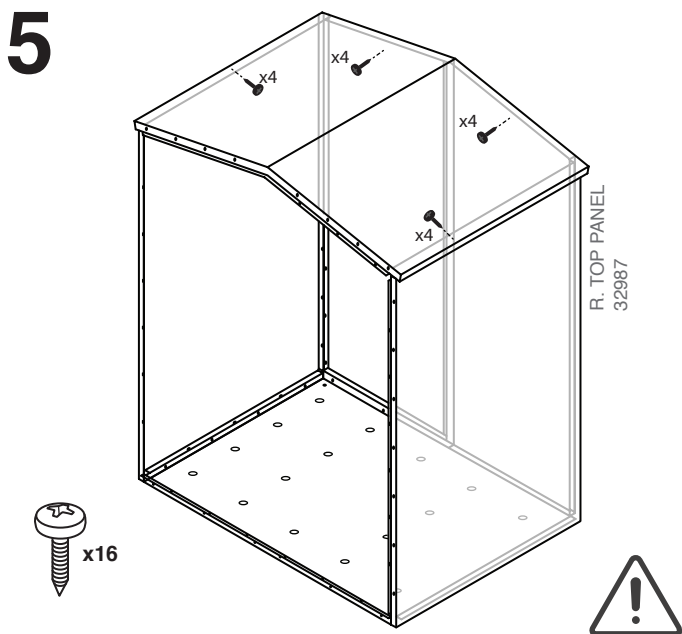
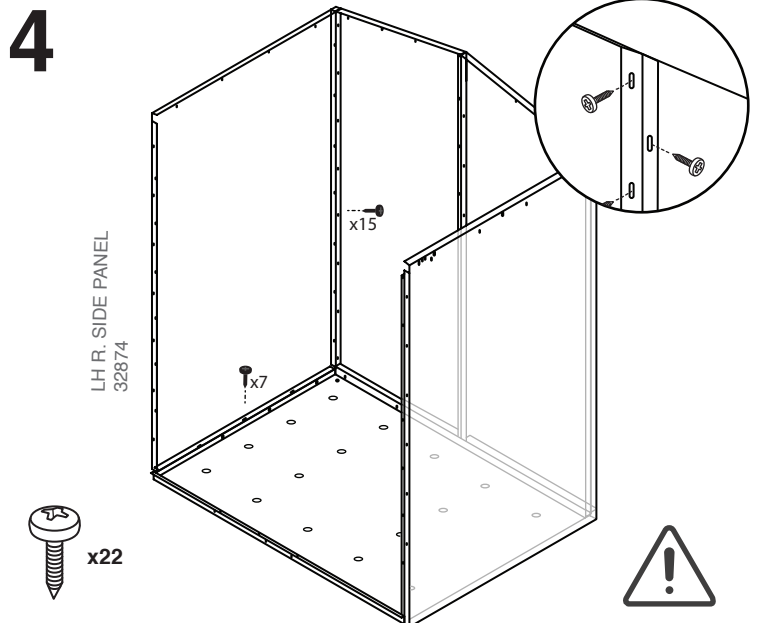
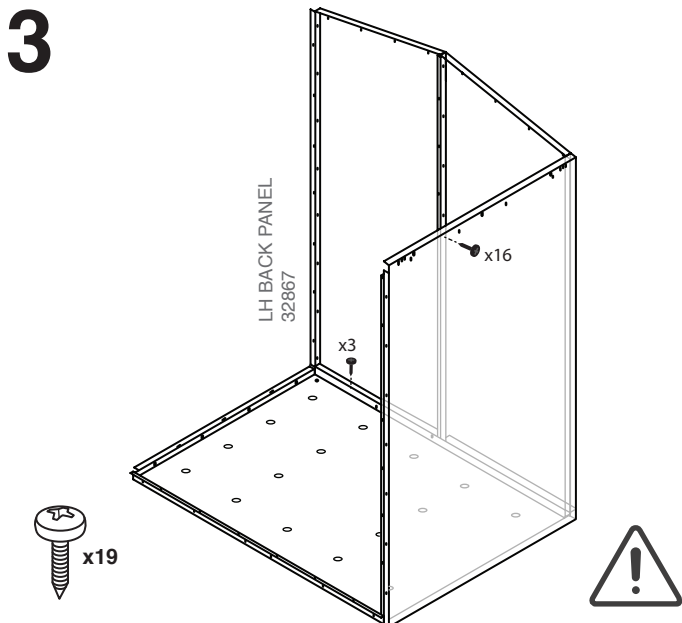
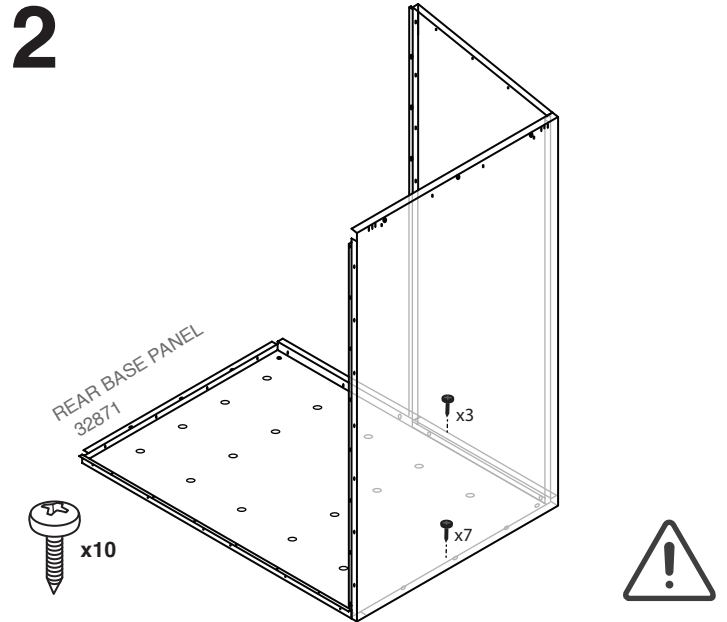
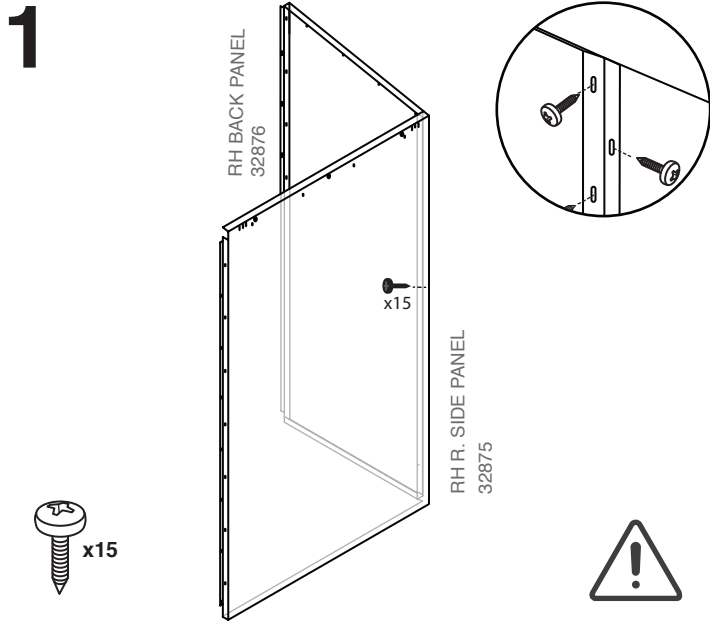
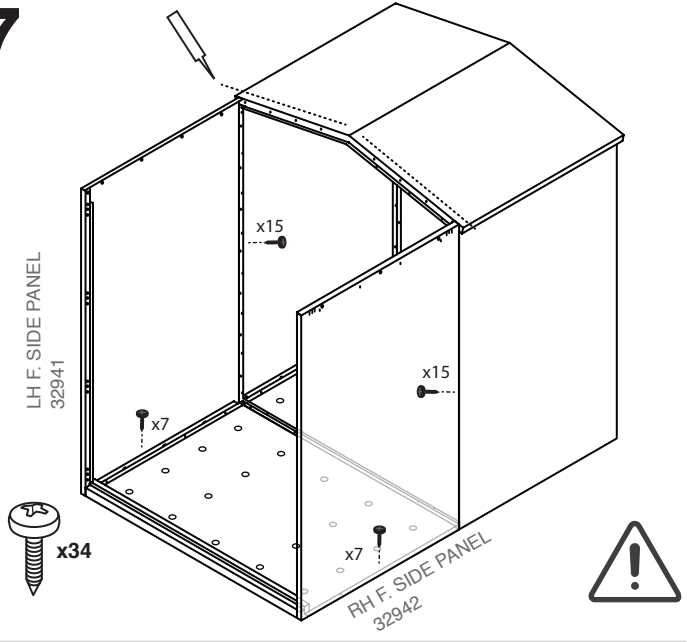


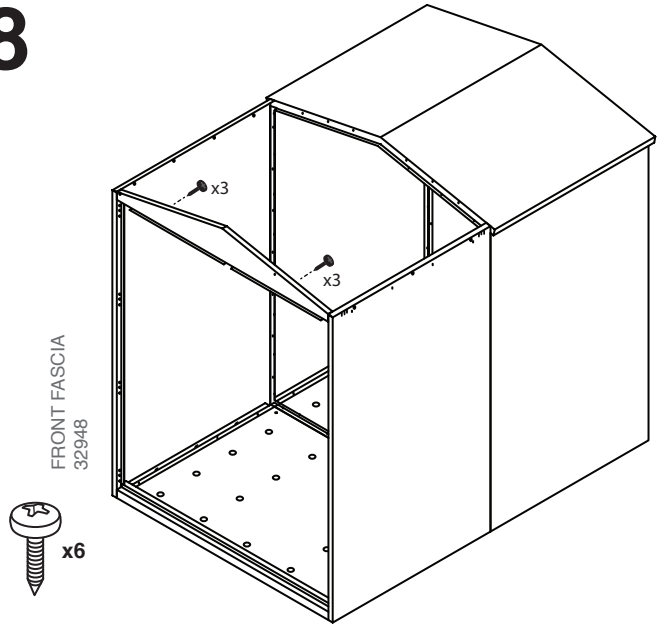
PLEASE NOTE ALL SCREWS ARE FIXED FROM THE INSIDE



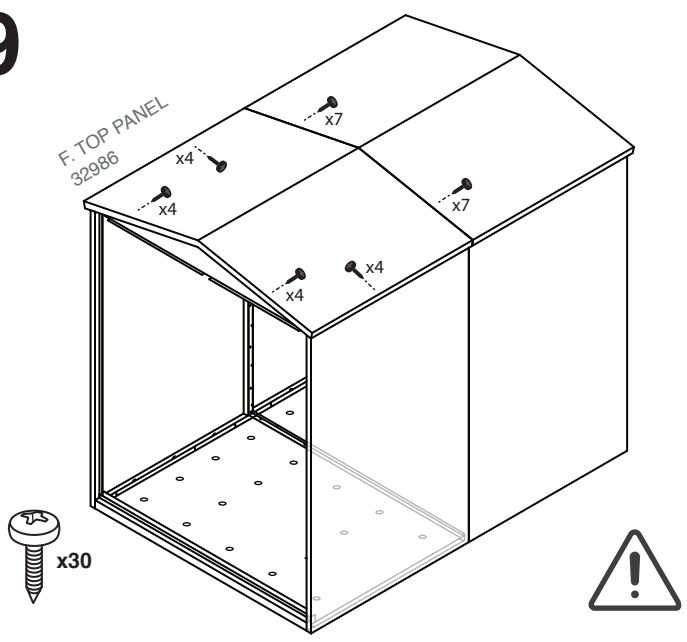
7



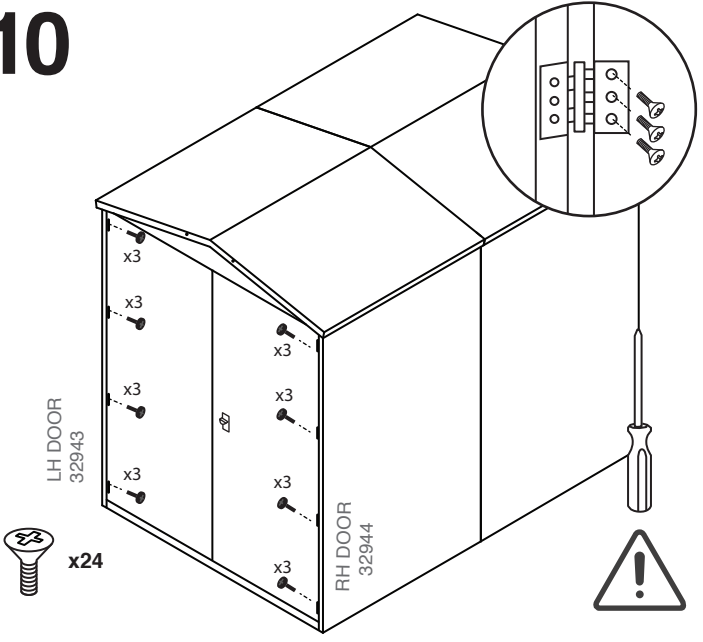
8



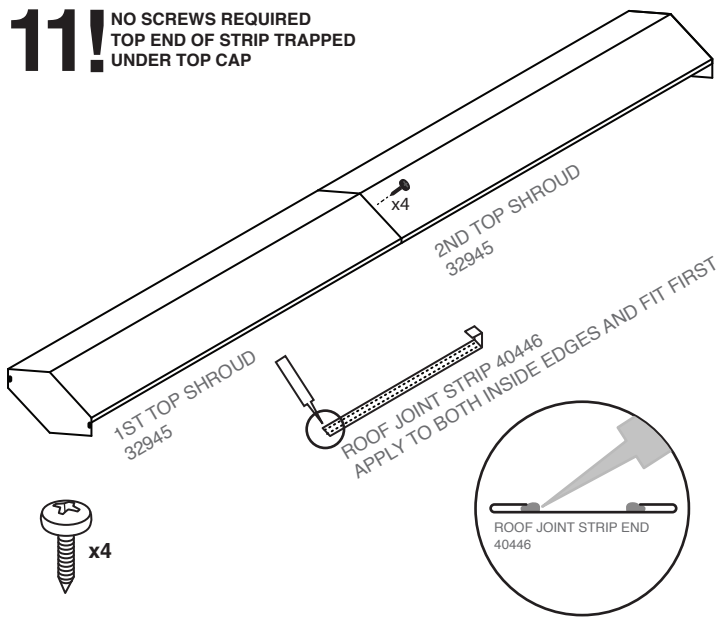
9



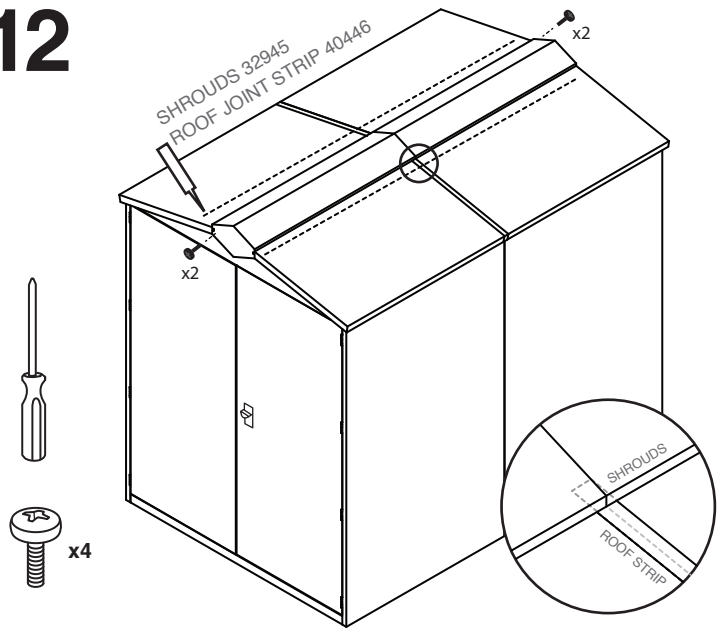
10



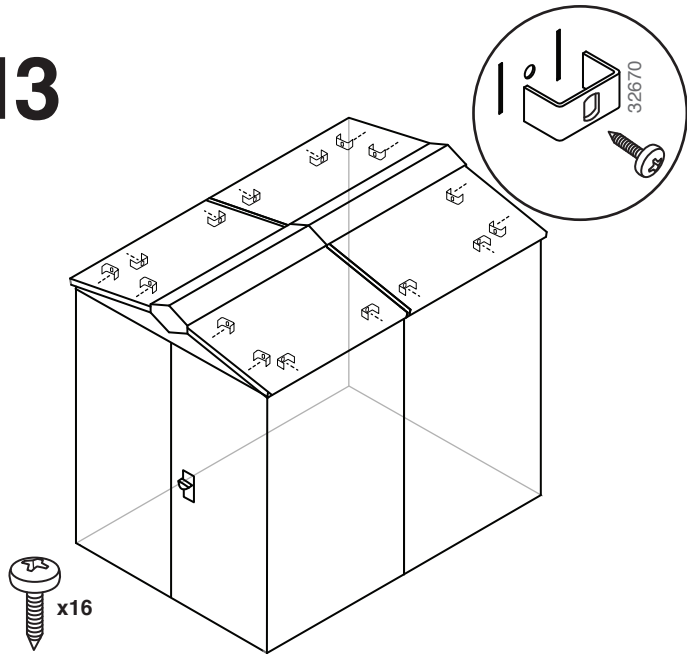
11! NO SCREWS REQUIRED
TOP END OF STRIP TRAPPED
UNDER TOP CAP



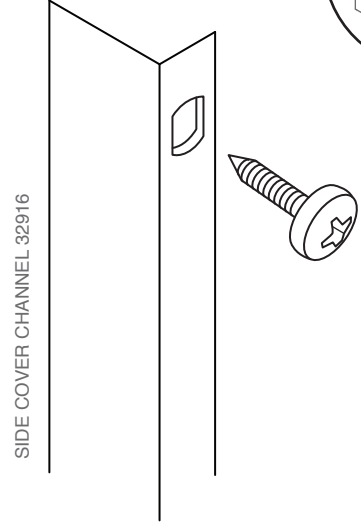
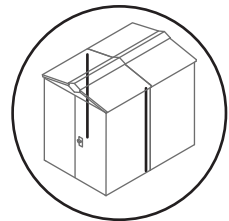
12



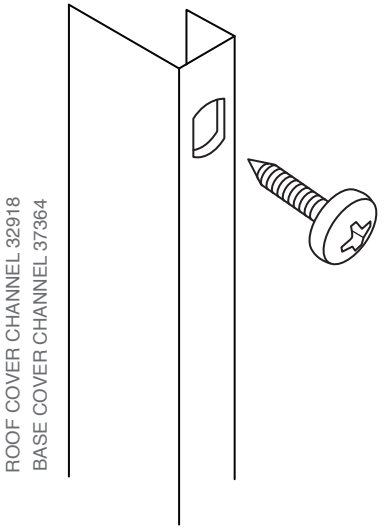
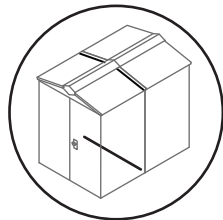
13



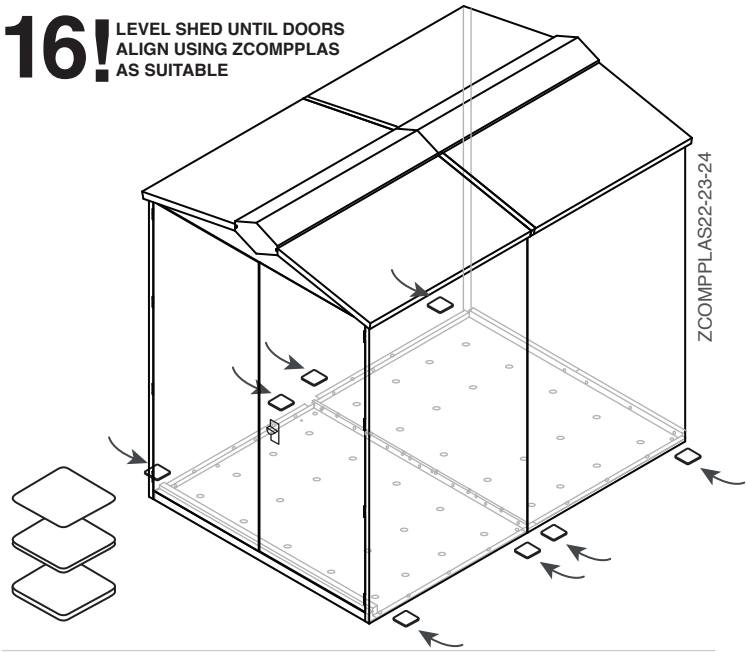
14!

 REMOVE SCREWS WHICH ALIGN WITH THE COVER CHANNELS. ALIGN AND PLACE SCREWS BACK

15!

 REMOVE SCREWS WHICH ALIGN WITH THE COVER CHANNELS. ALIGN AND PLACE SCREWS BACK

16!

 LEVEL SHED UNTIL DOORS ALIGN USING ZCOMPPLAS AS SUITABLE

17

