

# GLADIATOR



## BASE INSTRUCTIONS

Flat and firm base. Recommended: concrete, tarmac or paving flags.  
 Min. distance from walls/ shrubbery: 1000mm.  
 Min. base size (WxDxH) 2410mm x 2640mm x 50mm.

## LEVELING THE UNIT

Correctly level the constructed unit using the shims (ZCOMPPLAS) provided prior to fixing the unit to the ground. Slide the packing pieces under the corners of the unit base as required until an equal gap has been achieved around the door allowing for its smooth operation and alignment.

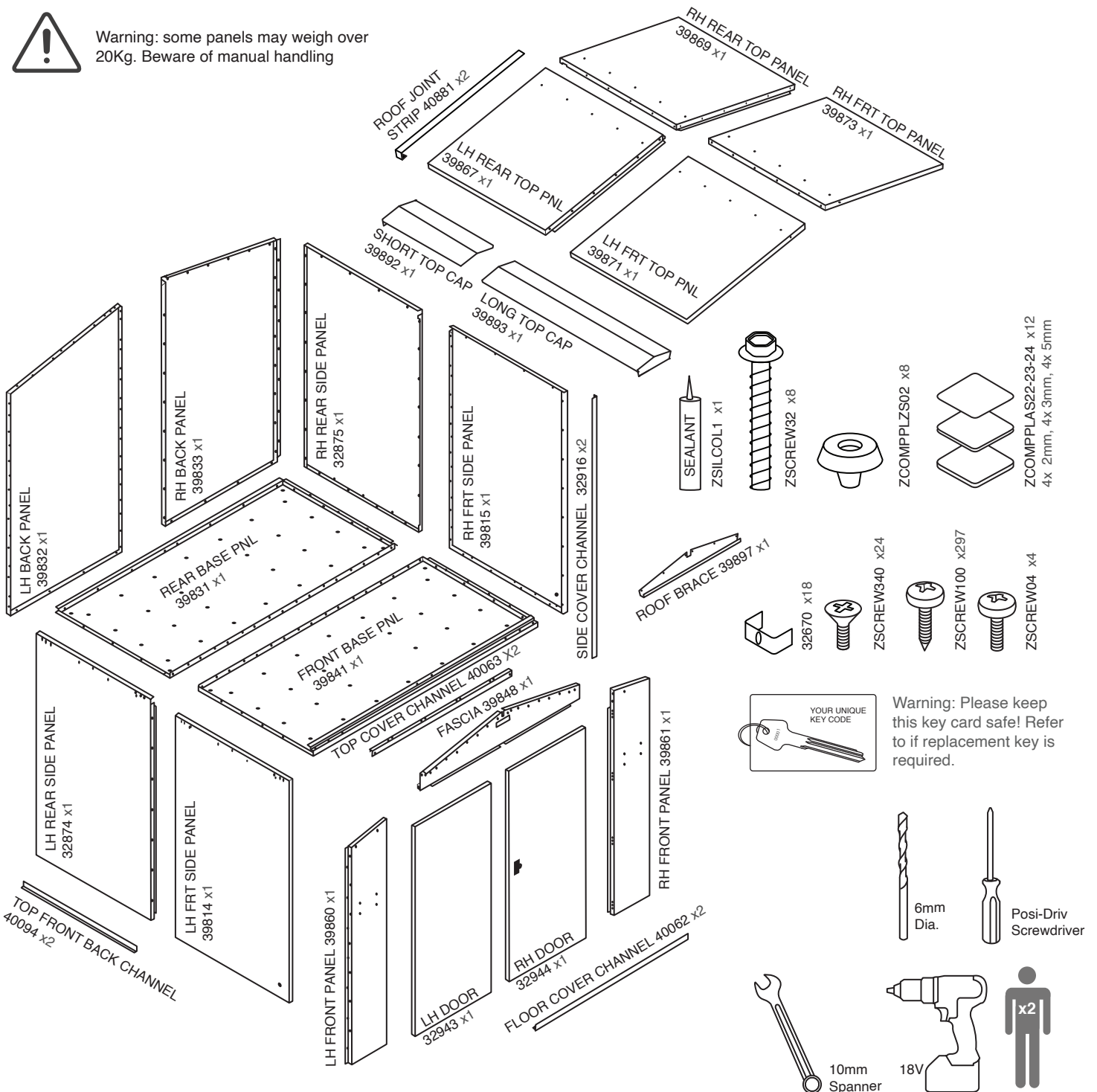
It is always recommended to anchor the unit in to the ground. Drill through the four holes in each of the base of the unit using 6mm dia masonry drill to a depth of 70mm. Screw in the anchor fixings. (These have a self cutting thread). **If not anchoring the unit, fit the self seal plugs BEFORE BUILDING to block the fixing holes from underneath.** Please note, the product must be bolted down to comply with LPS1175.

## TOOLS REQUIRED

Power driver POSI-DRIV screwdriver, 6mm dia. masonry drill and a 10mm socket or spanner.

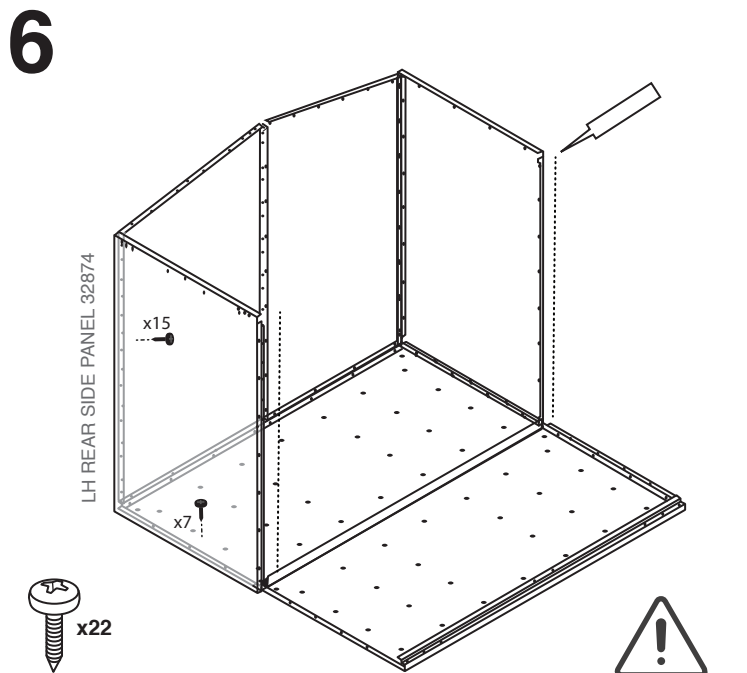
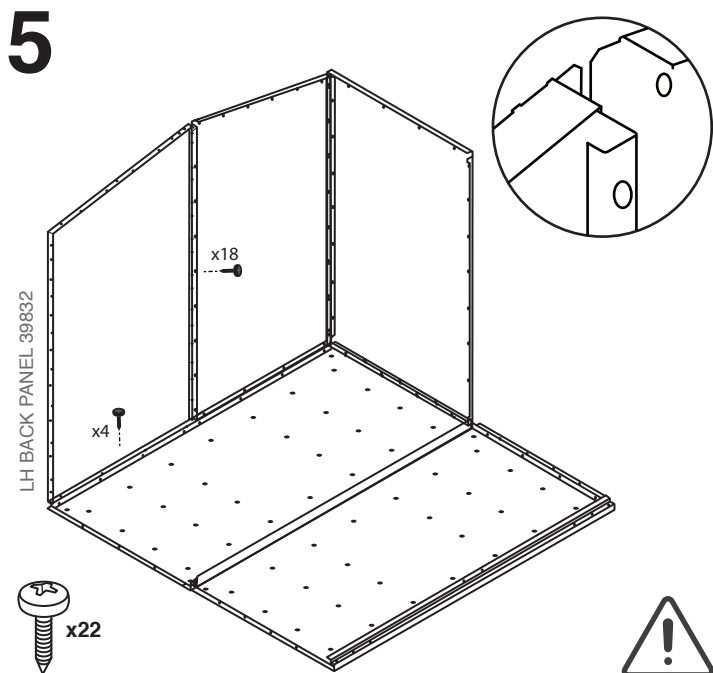
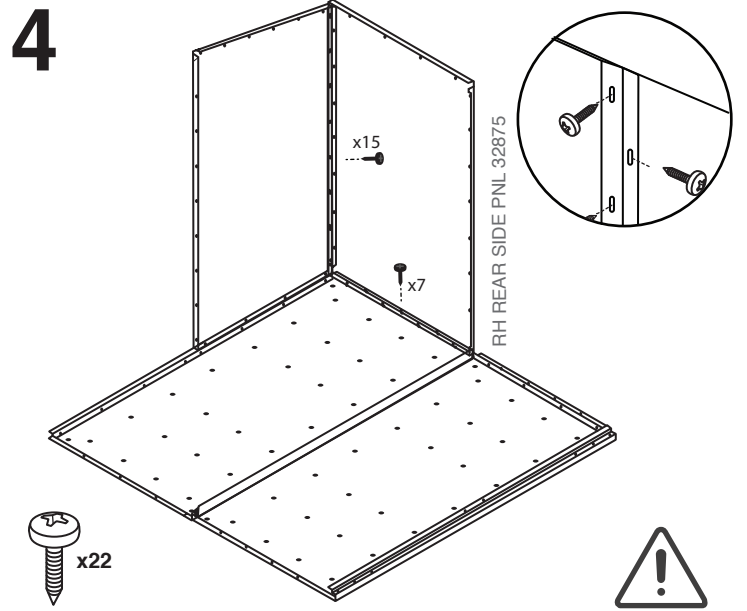
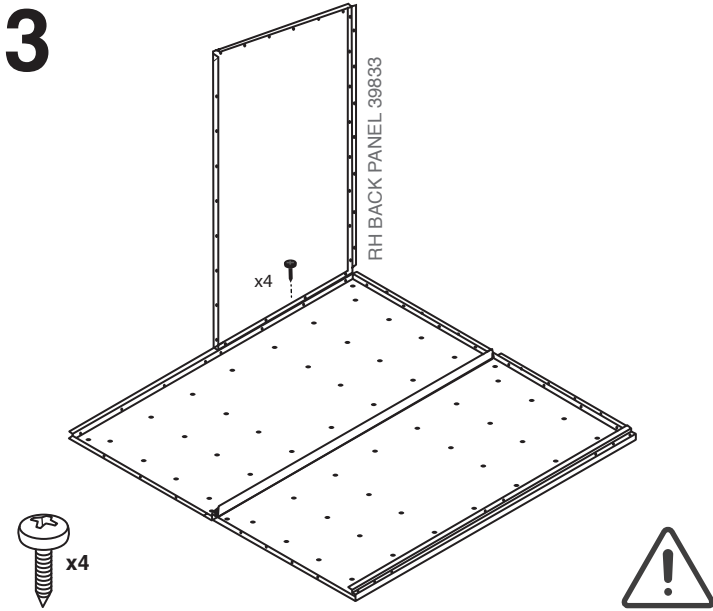
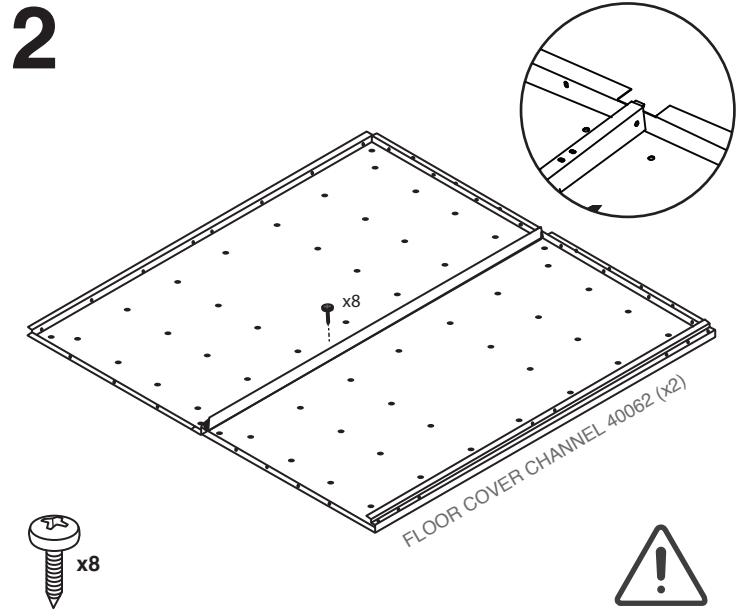
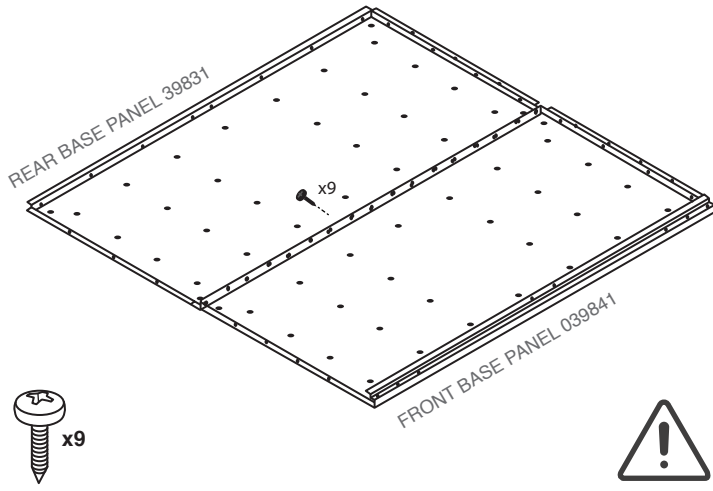


Warning: some panels may weigh over 20Kg. Beware of manual handling



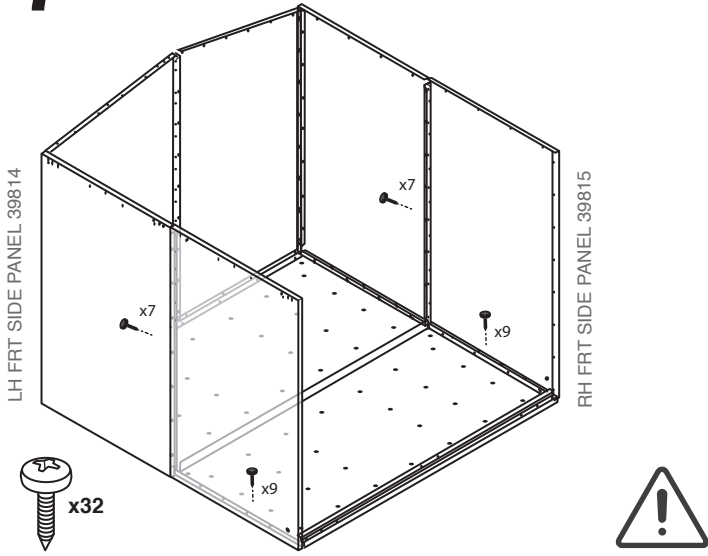
PLEASE NOTE ALL SCREWS ARE FIXED FROM THE INSIDE

**1!** IF YOU HAVE AN OPTIONAL RAMP,  
PLACE UNDERNEATH FRONT  
BASE PANEL AT THIS STAGE

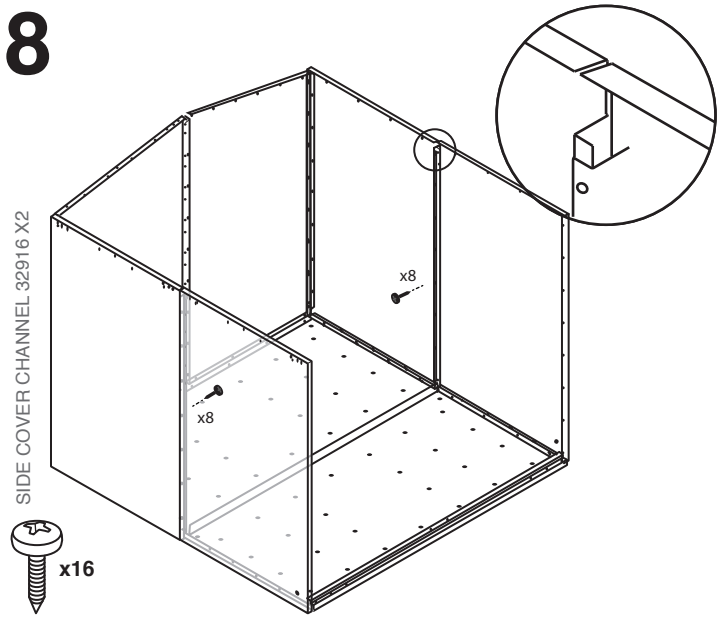


PLEASE NOTE ALL SCREWS ARE FIXED FROM THE INSIDE

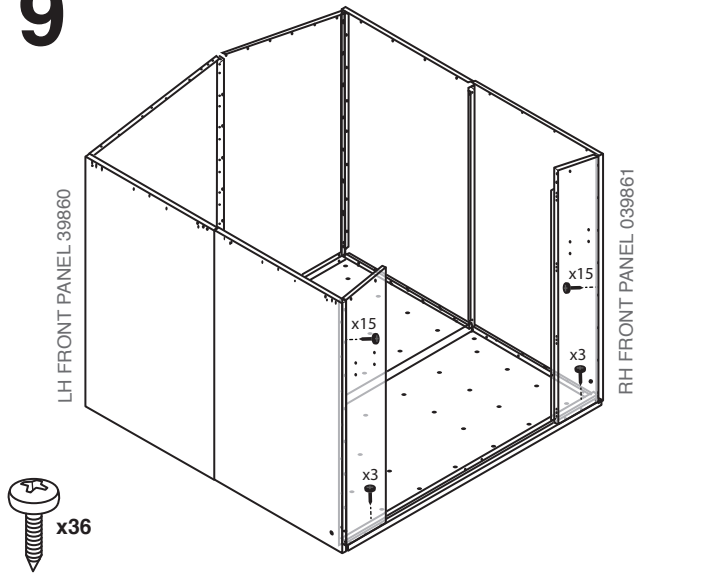
7



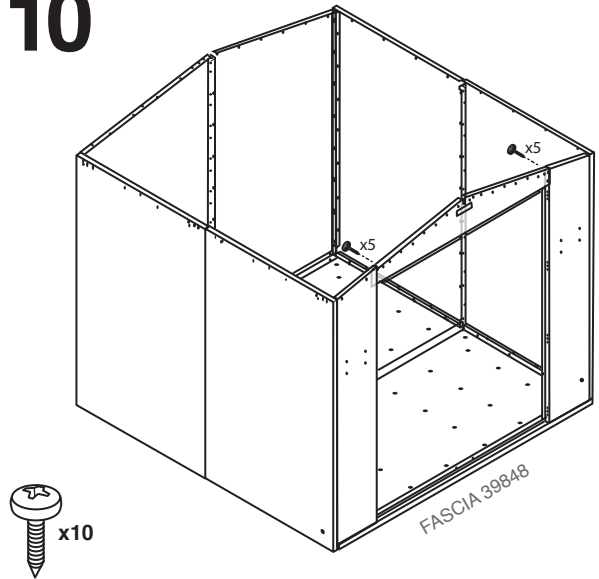
8



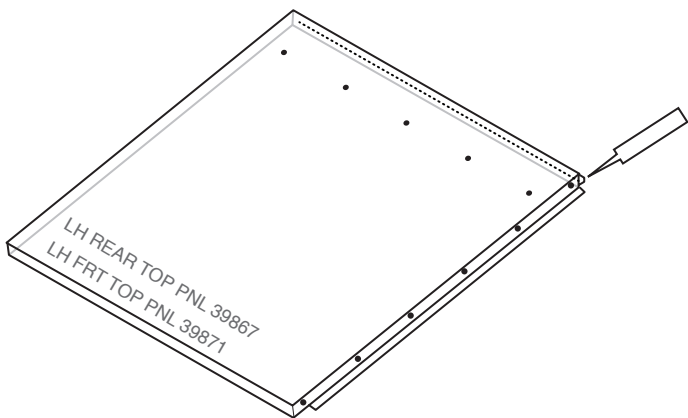
9



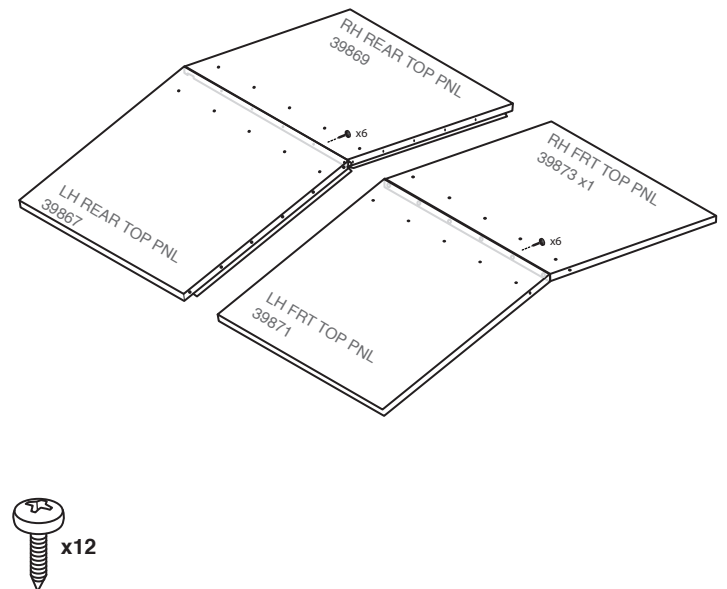
10



11

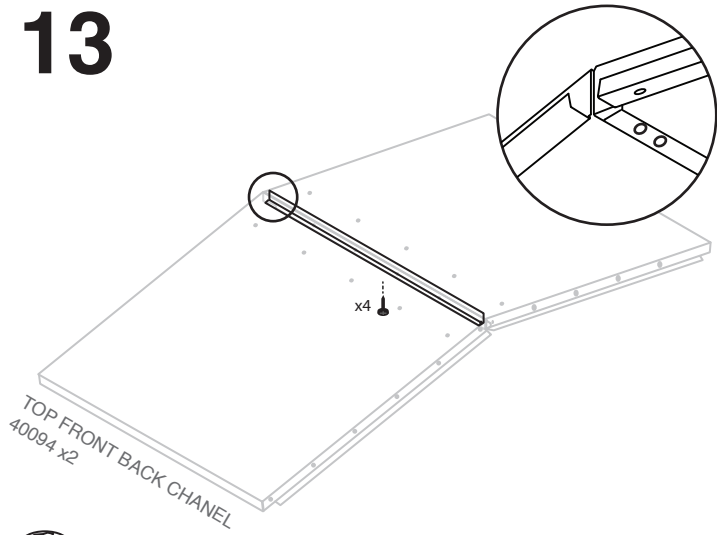


12

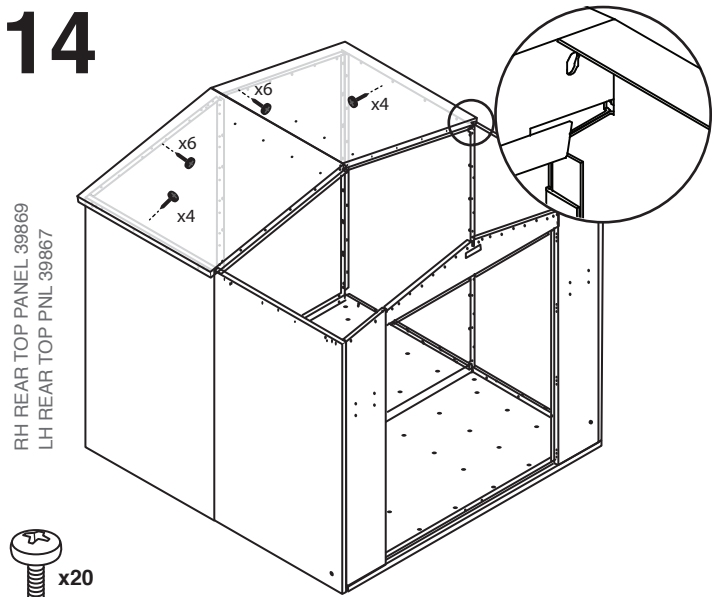


PLEASE NOTE ALL SCREWS ARE FIXED FROM THE INSIDE

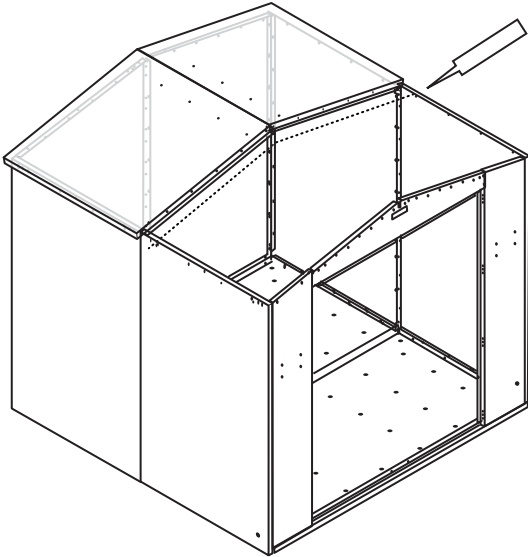
13



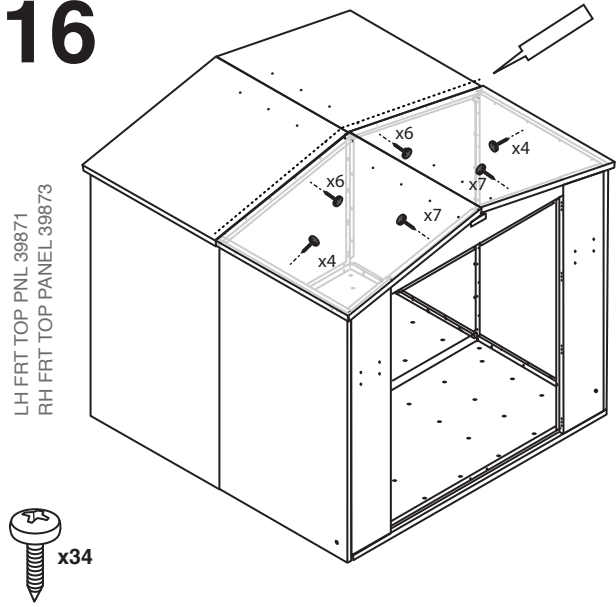
14



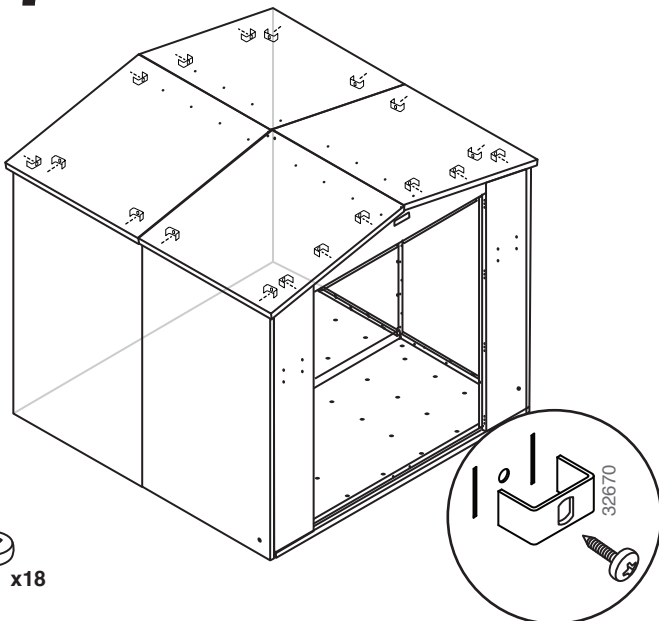
15



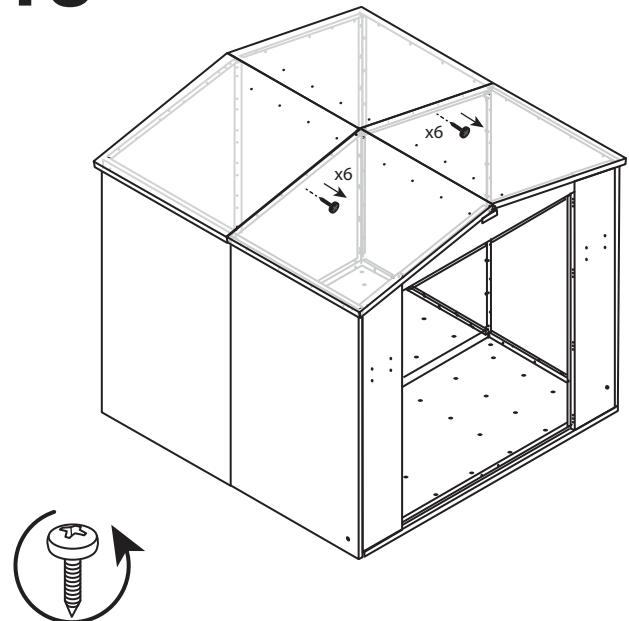
16



17

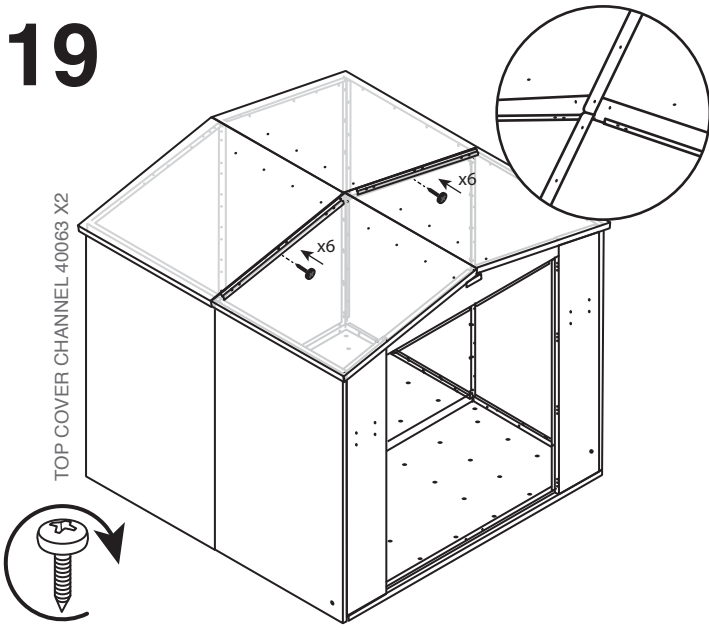


18

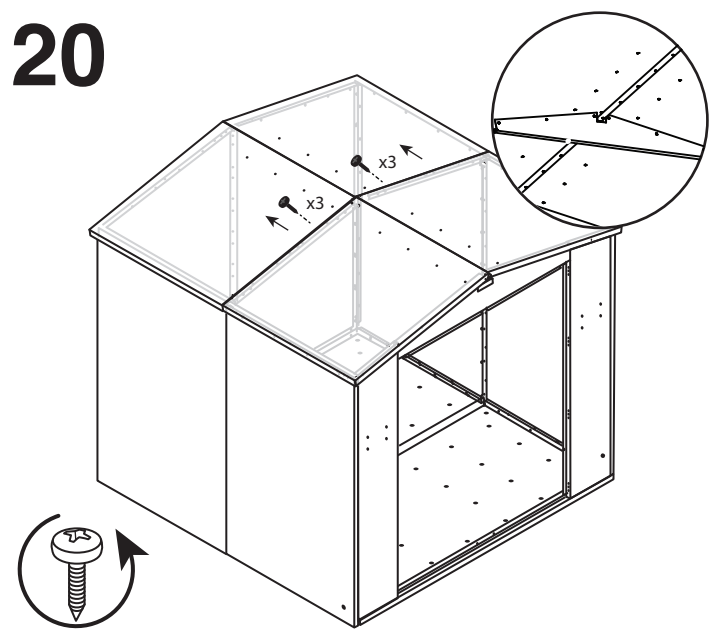


PLEASE NOTE ALL SCREWS ARE FIXED FROM THE INSIDE

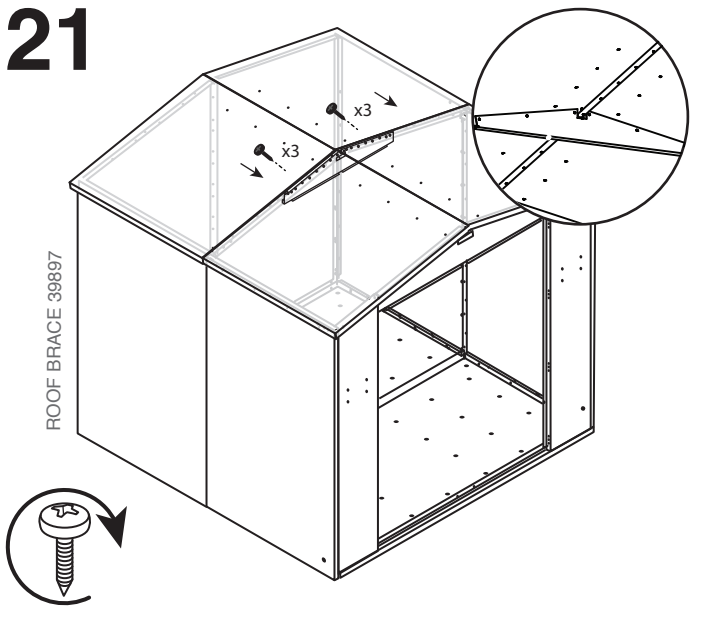
19



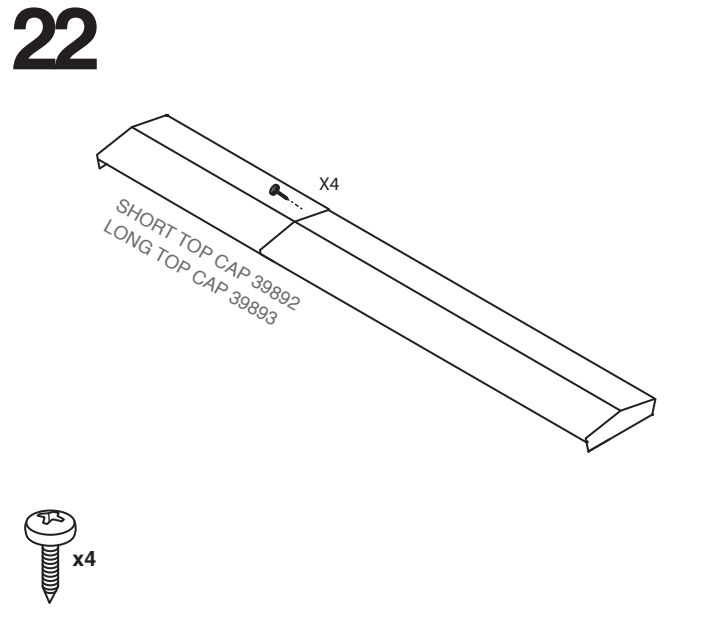
20



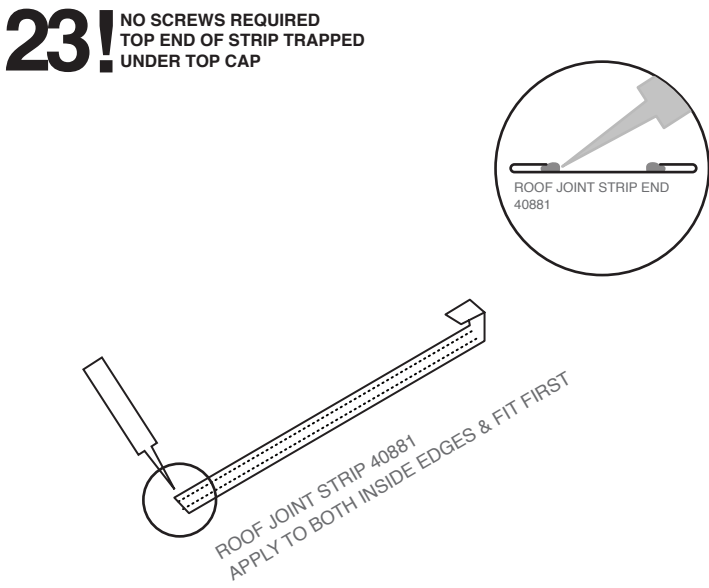
21



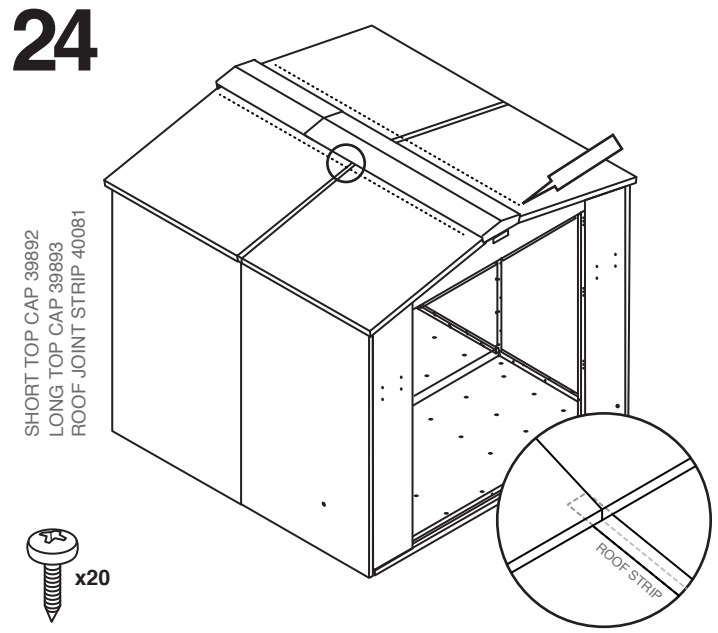
22



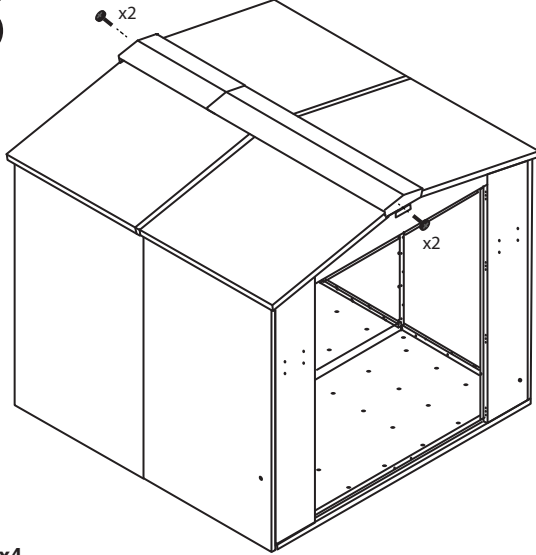
23! NO SCREWS REQUIRED  
TOP END OF STRIP TRAPPED  
UNDER TOP CAP



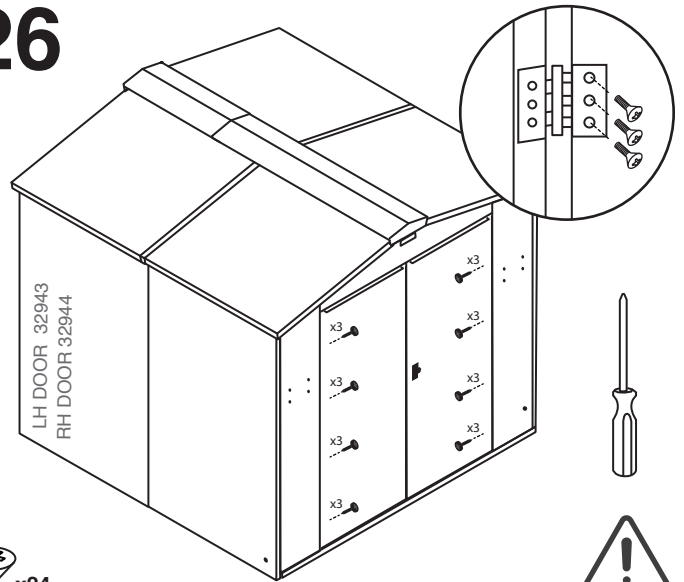
24



# 25

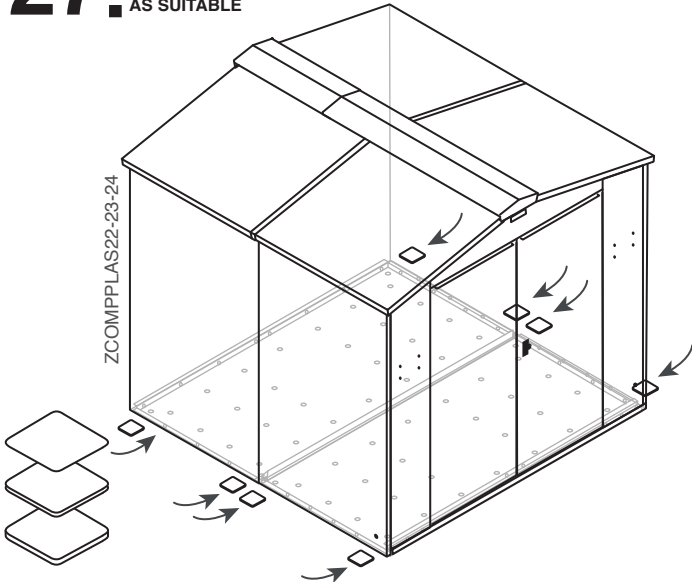


# 26



# 27!

LEVEL SHED UNTIL DOORS  
ALIGN USING ZCOMPPLAS  
AS SUITABLE



# 28

