

MOTORCYCLE PLUS



BASE INSTRUCTIONS

Flat and firm base. Recommended: concrete, tarmac or paving flags.
 Min. distance from walls/ shrubbery: 1000mm.
 Min. base size (WxDxH) 2410mm x 3790mm x 50mm.

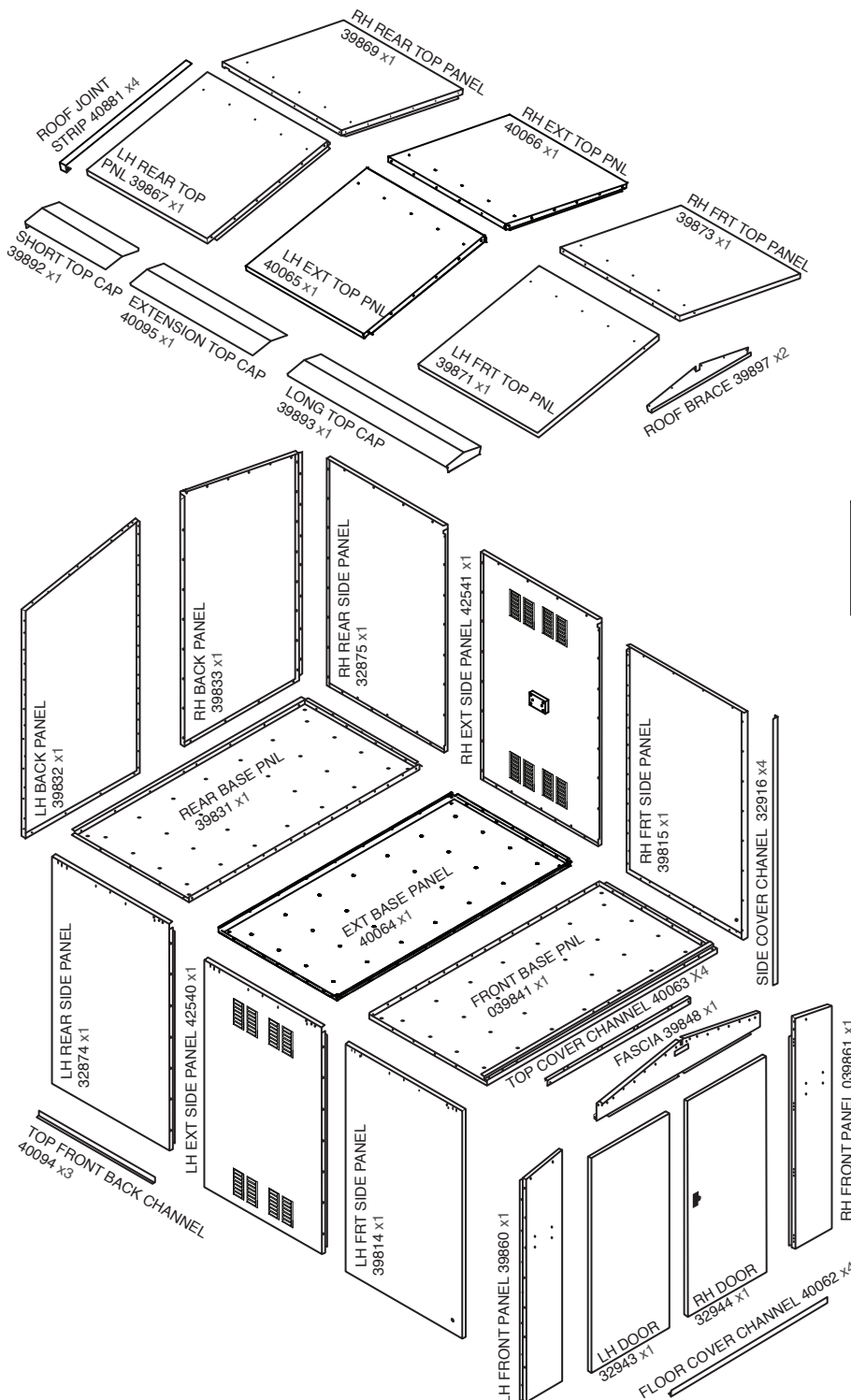
LEVELING THE UNIT

Correctly level the constructed unit using the shims (ZCOMPPLAS) provided prior to fixing the unit to the ground. Slide the packing pieces under the corners of the unit base as required until an equal gap has been achieved around the door allowing for its smooth operation and alignment.

It is always recommended to anchor the unit to the ground. Drill through the four holes in each of the base of the unit using 6mm dia masonry drill to a depth of 70mm. Screw in the anchor fixings. (These have a self cutting thread). If not anchoring the unit, fit the self seal plugs BEFORE BUILDING to block the fixing holes from underneath. **Please note, product must be bolted down to comply with LPS1175**

TOOLS REQUIRED

Power driver POSI-DRIV screwdriver, 6mm dia. masonry drill and a 10mm socket or spanner.



Warning: some panels may weigh over 20Kg Beware of manual handling



ZCOMPPLZS02 x12



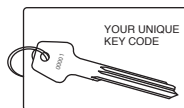
ZCOMPPLAS22-23-24 x18
 6x 2mm, 6x 3mm, 6x 5mm



ZSCREW340 x24



ZSCREW04 x4



Warning: Please keep this key card safe! Refer to if replacement key is required.



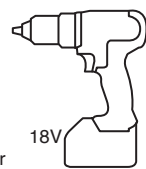
Posi-Driv Screwdriver



6mm Dia.



10mm Spanner

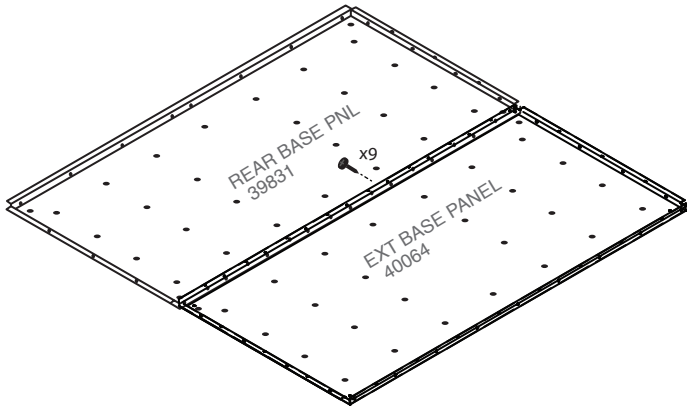


18V

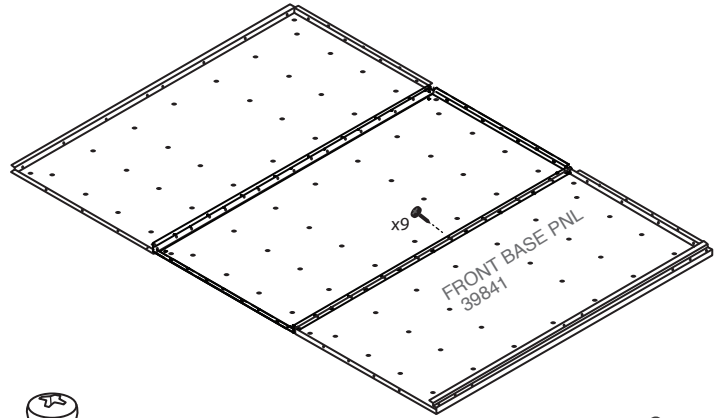


PLEASE NOTE ALL SCREWS ARE FIXED FROM THE INSIDE

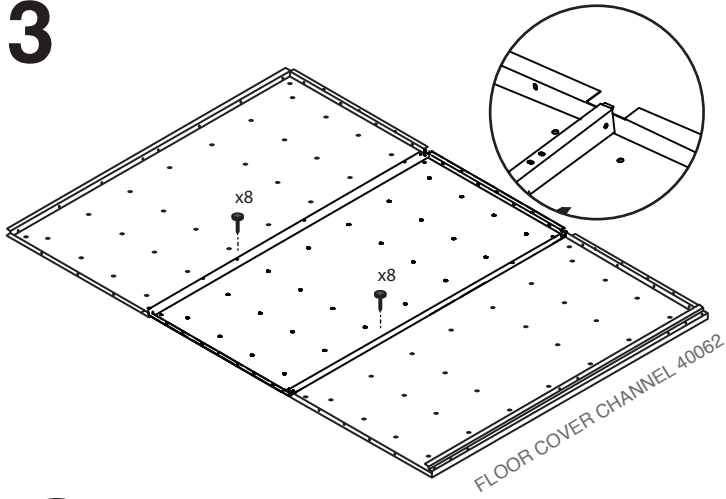
1



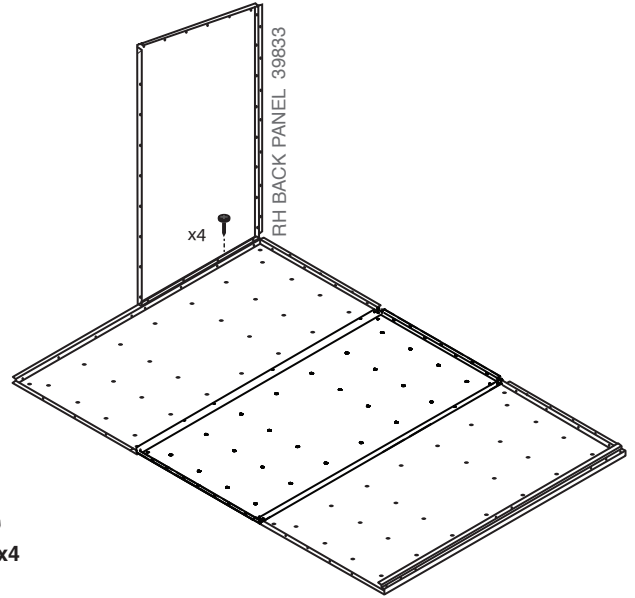
2! IF YOU HAVE AN OPTIONAL RAMP, PLACE UNDERNEATH FRONT BASE PANEL AT THIS STAGE



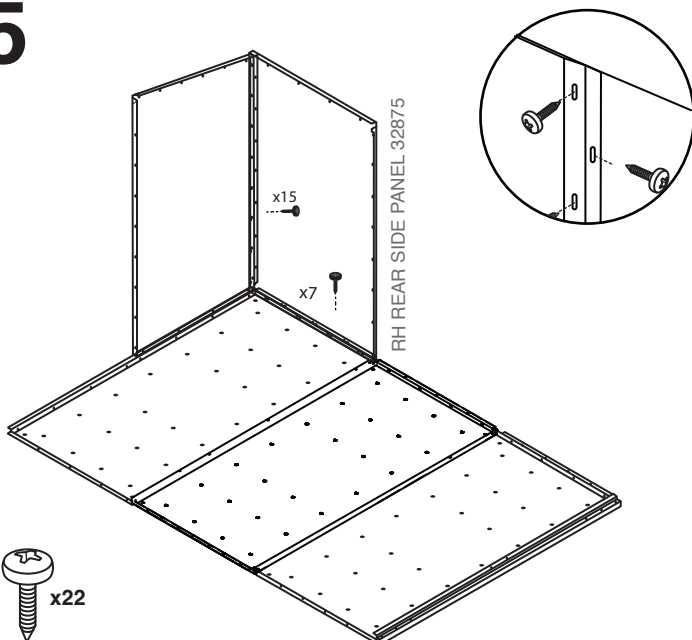
3



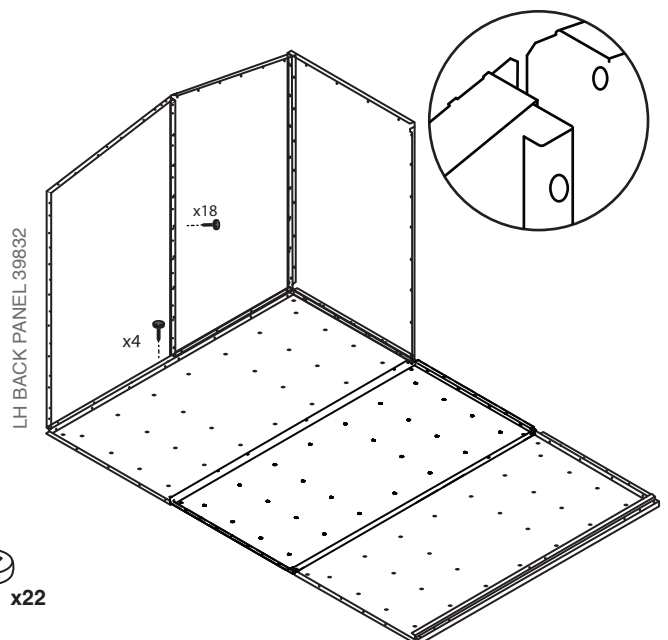
4



5



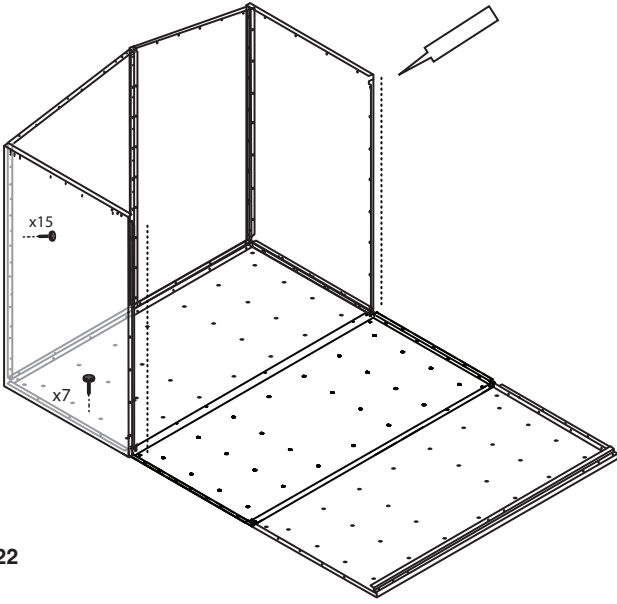
6



PLEASE NOTE ALL SCREWS ARE FIXED FROM THE INSIDE

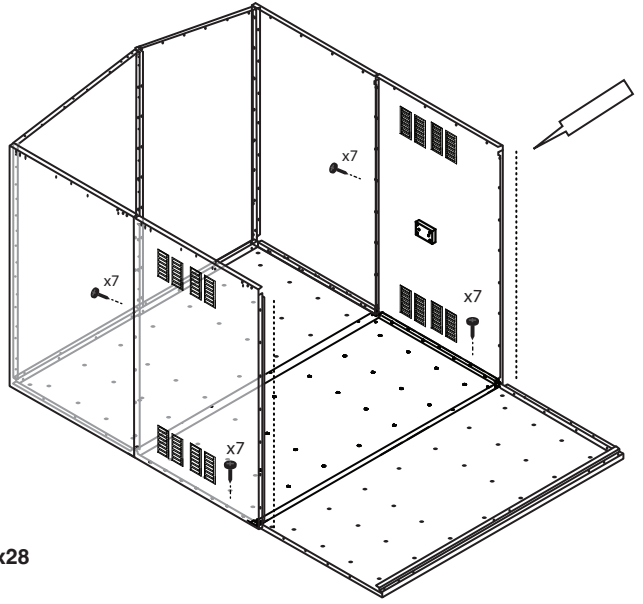
7

LH REAR SIDE PANEL 32874



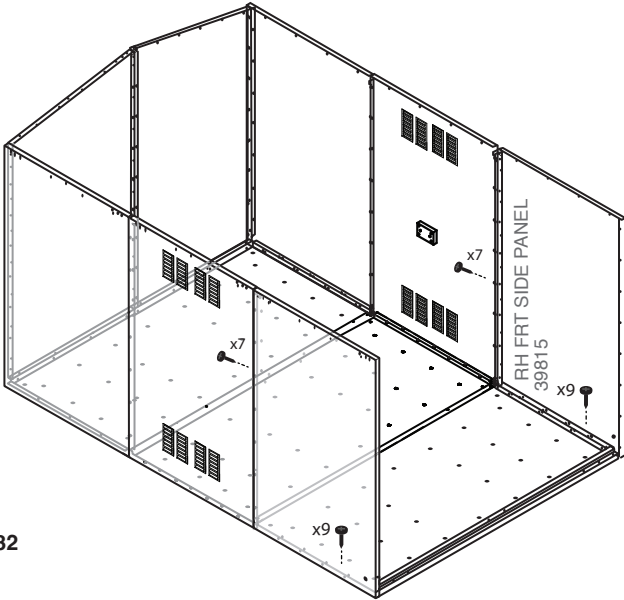
8

RH EXT SIDE PANEL 42541
LH EXT SIDE PANEL 42540

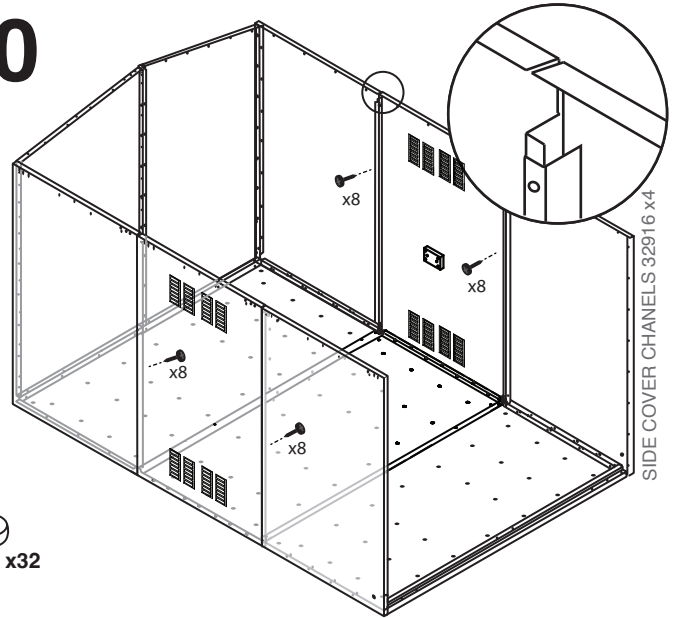


9

LH FRT SIDE PANEL
39814

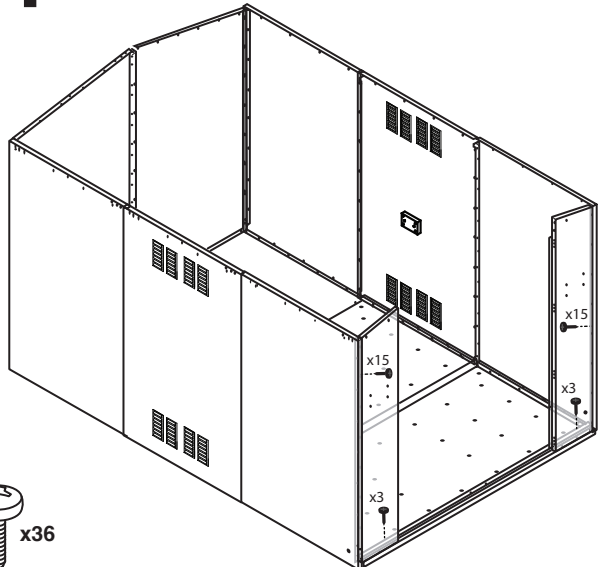


10

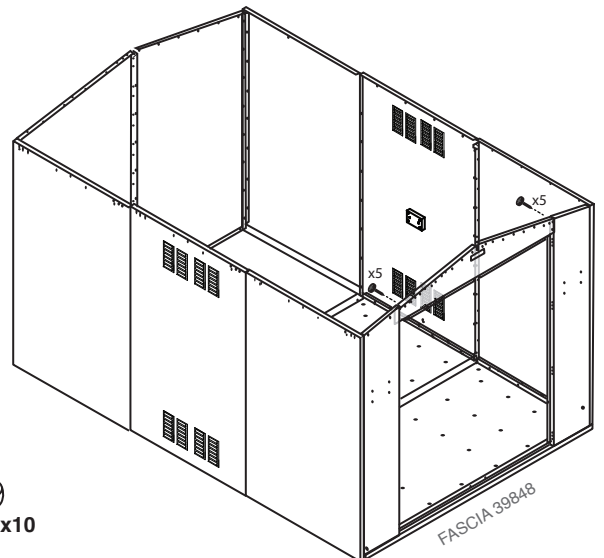


11

RH FRONT PANEL 39861
LH FRONT PANEL 39860

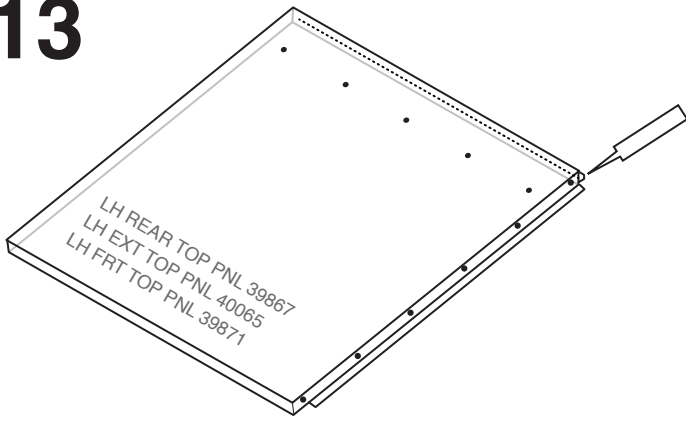


12

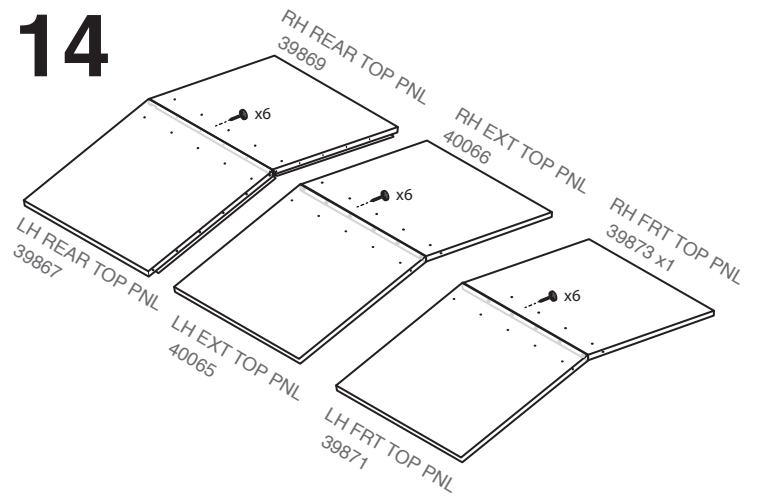


PLEASE NOTE ALL SCREWS ARE FIXED FROM THE INSIDE

13



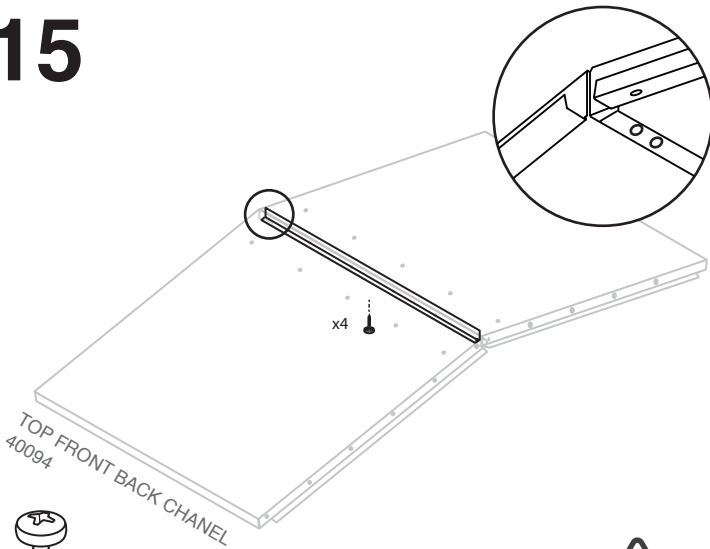
14



x18



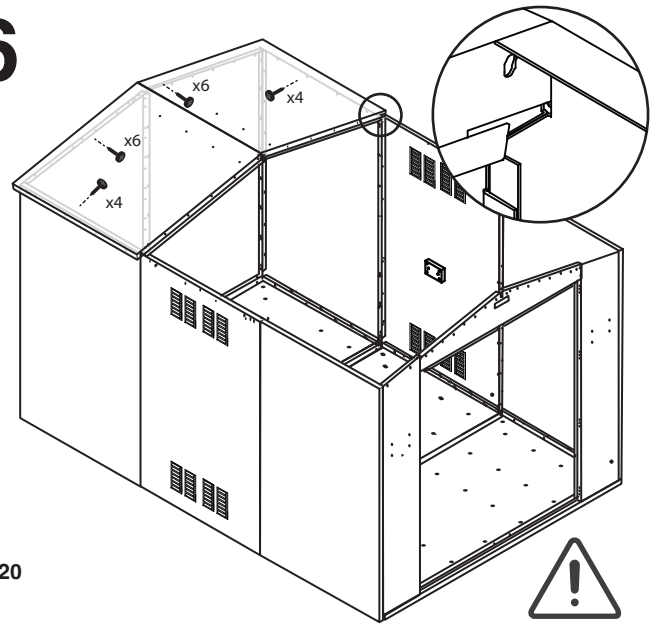
15



x12



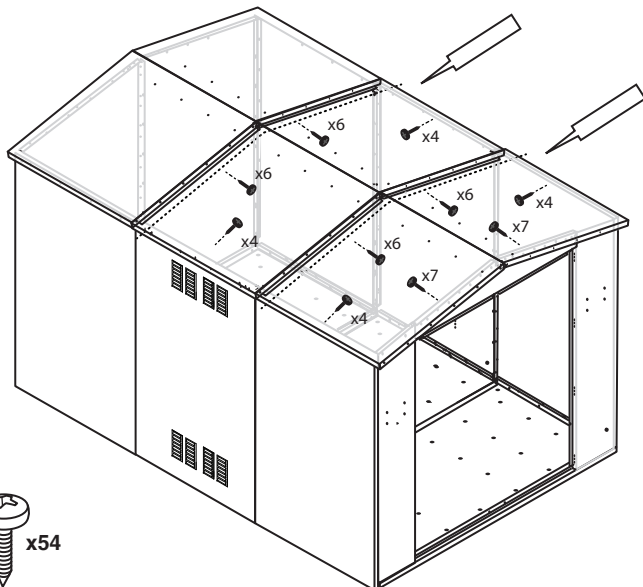
16



x20

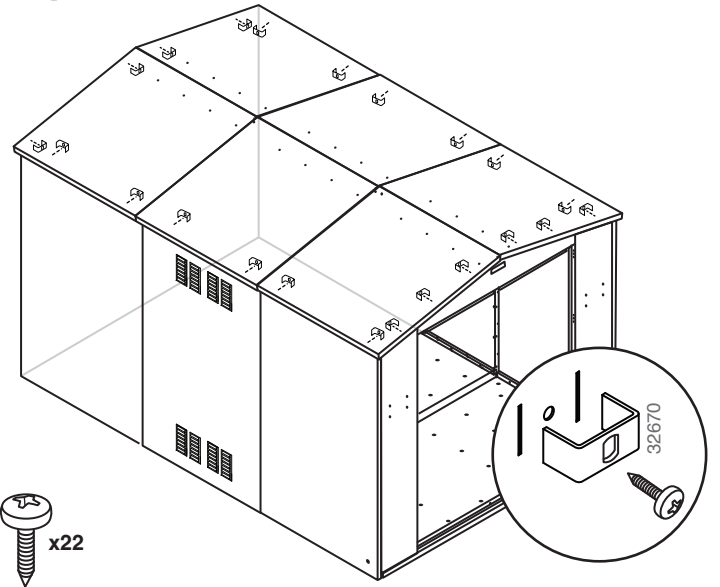


17



x54

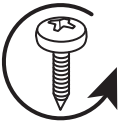
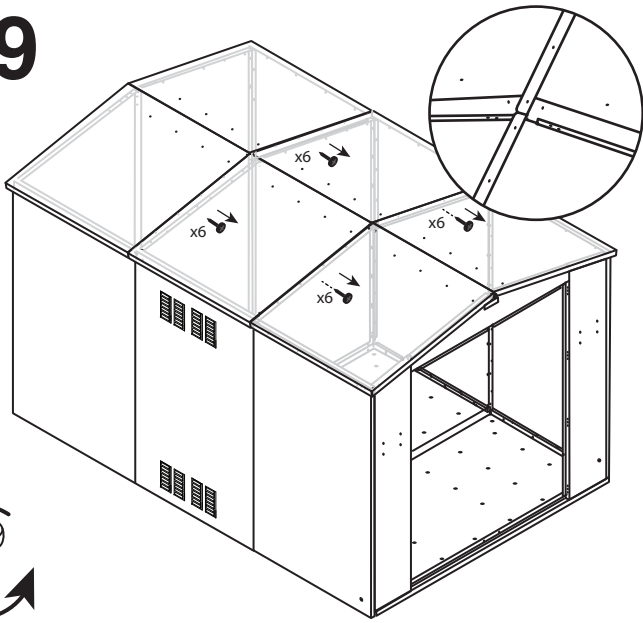
18



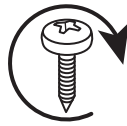
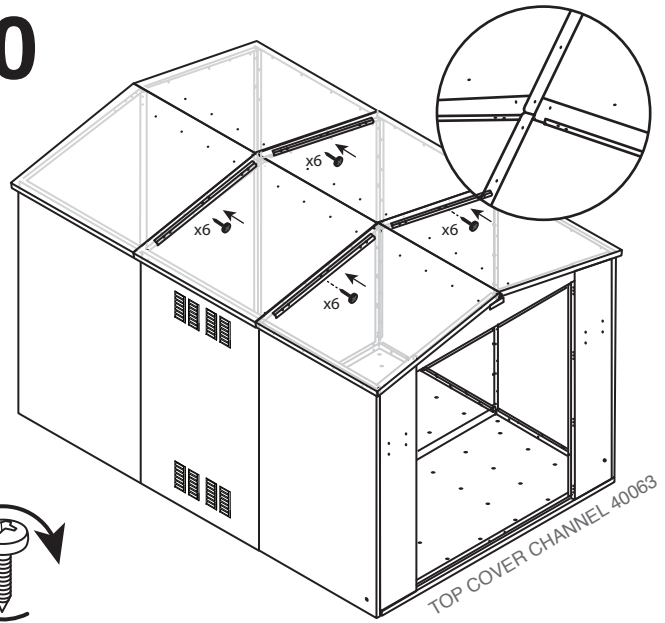
x22

PLEASE NOTE ALL SCREWS ARE FIXED FROM THE INSIDE

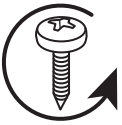
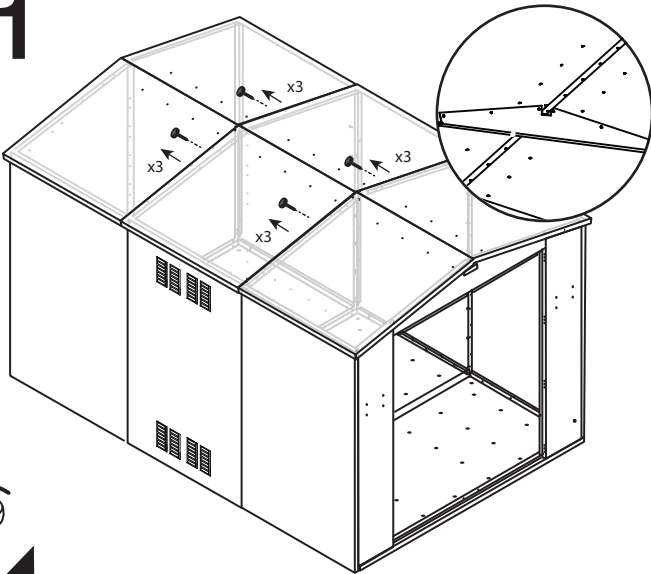
19



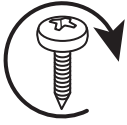
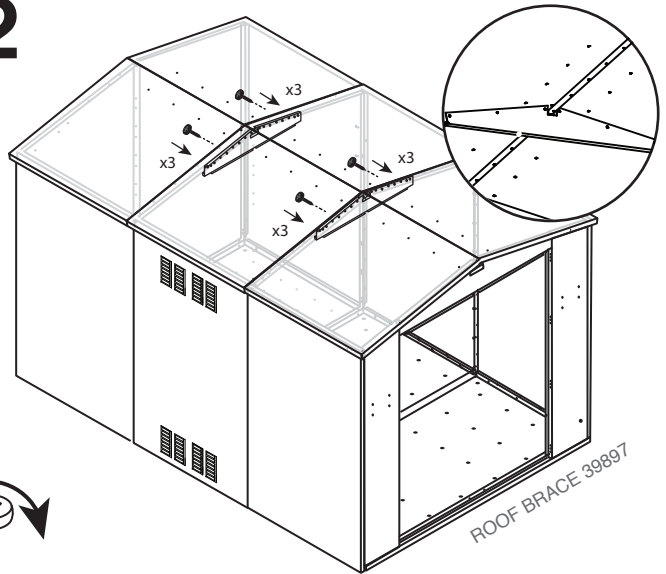
20



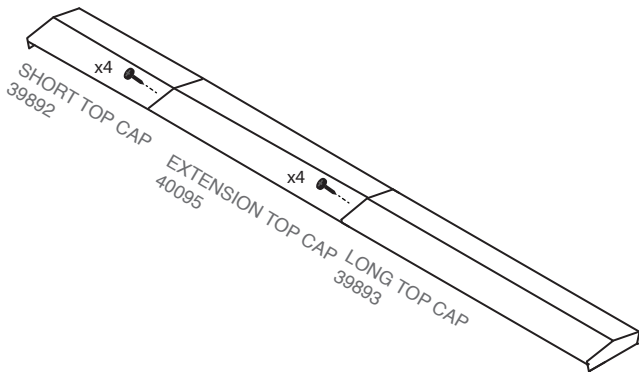
21



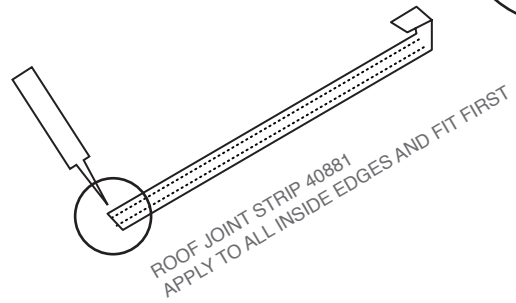
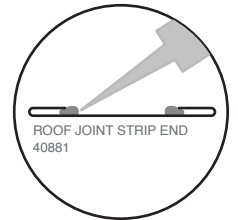
22



23

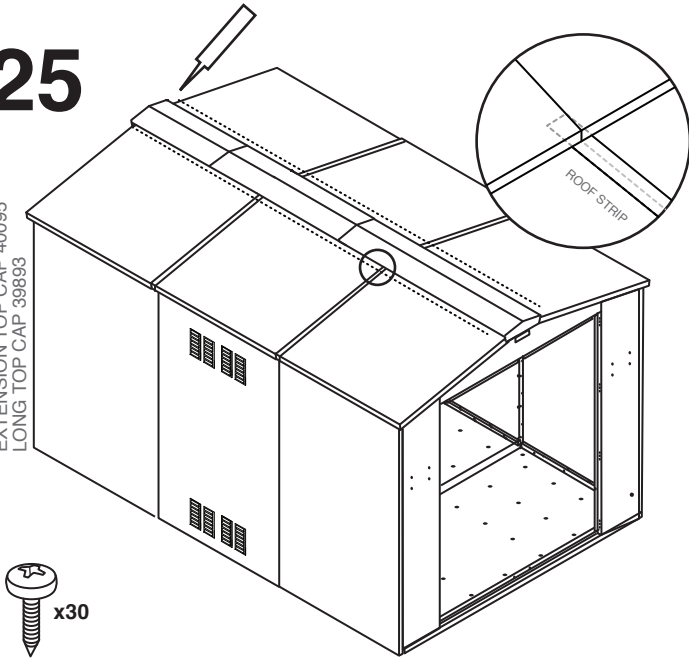


24! NO SCREWS REQUIRED
TOP END OF STRIP TRAPPED
UNDER TOP CAP

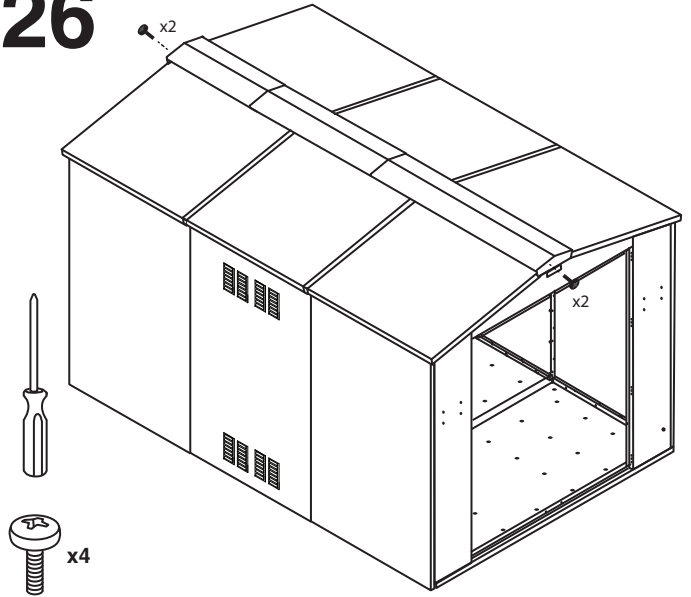


25

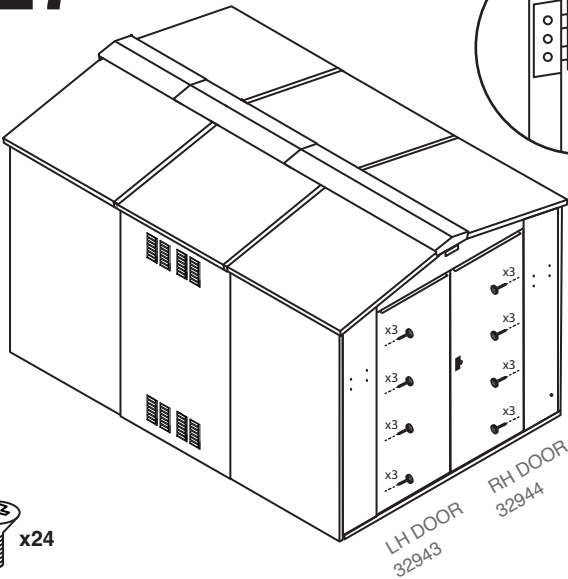
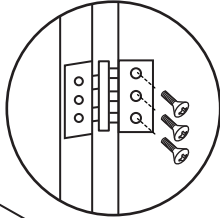
SHORT TOP CAP 39892
EXTENSION TOP CAP 40095
LONG TOP CAP 39893



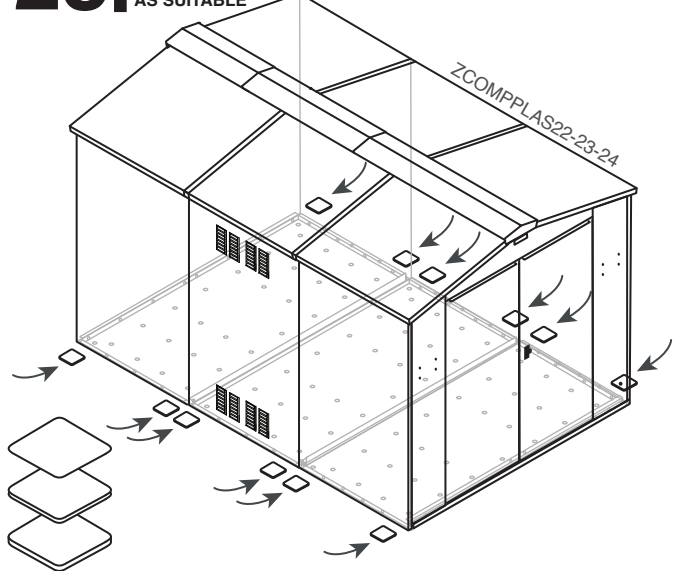
26



27



28!

 LEVEL SHED UNTIL DOORS ALIGN USING ZCOMPLAS AS SUITABLE

29

